

# S35-T2E

1/8 OffRoad Brushless Power Pro Truggy



SWORKZ S35-T2E EVO INSTRUCTION MANUAL

# **S35-T2e EVO**

**1/8 OffRoad Brushless Power Pro Truggy**

## **INSTRUCTION**

The SWORKz S35-T2e EVO 1/8 Electric Truggy is designed for pure racing. The geometry of the car provides great corner speed with exceptional traction and easy driving control.

The S35-T2e EVO center chassis lay out is the brand new design same as S35-4e EVO. Its provides 2 ways battery set up. Standard 2S peck batteries (or 2S shorty) can be used in saddle position for lower center of gravity. And one unit 4S standard peck(or shorty) also can be fit in side position.

It's made from T7075 hard anodized and lightened aluminum was tested by our factory pilots to guarantee best performance.

The standard HET differentials are included and provide High Density Motor Pinion Gear system for options.

The new S35-T2e EVO comes a brand new steering Lay-Down Type Steering Bellcrank servo savor system. With this new Ackerman design gives the driver the feeling of total control over the S35-T2e EVO.

In the kit we include a special BBS piston and oil seal parts that the worlds team drivers tested during the race. They are made by a high Precision Plastic mold machine.

The S35-T2e EVO comes with a longer shock layout in the front and rear.

The construction of the shocks is adapted to that new optimized layout. The smart holder for shock spring plates makes it almost impossible to lose them anymore.

With the new toe-in plates, which now contain square inserts, you can adjust the geometry of your SWORKz S35-T2e EVO to fit every track layout and track condition. The lower arms are made of a newly developed composite material and fit perfectly to the new chassis. Side guards were redesigned as well.

With the new lightened wing support you can adjust various positions and the angle of the wing to give your SWORKz S35-T2e EVO the best stability on the track. Together with the "Speed Rhinoceros III" body shell, perfect aerodynamics is achieved.

Another new development in our SWORKz S35-T2e EVO is the totally new rear hub. Made from composite materials combined with 2 carbon plates gives you the possibility for various setups.

The new designed Motor mount makes it possible to change the motor or adjust the play of the gears very easily.

There are many changes and smart ideas put into your new SWORKz S35-T2e EVO that makes the car a real winner.

The secret of a modern racing car is the possibility to adapt the setup to every track for top pilots but also have a standard setup that works on most tracks for hobby pilots.

The SWORKz S35-T2e EVO represents these two characteristics in perfection.

The SWORKz development team focused on using materials corresponding to the highest quality standards when designing the car. You will find only 100% SWORKz quality in the S35-T2e EVO kit. Congratulations on your purchase of the new SWORKz S35-T2e EVO 1/8 scale off-road racing Truggy pro kit and thanks for trusting in SWORKz.

Please read this manual carefully, before you start to build and drive your SWORKz S35-T2e EVO. This manual contains step-by-step instructions to helping you completing, preparing and fine tuning your Truggy for racing. Updates, setups, and product news will be posted on all SWORKz digital media.

As always, if you should ever have any questions or need help with your SWORKz products, please feel free to contact our official SWORKz dealers and distributors.

### **S35-T2e EVO Kit Feature:**

- T7075 Hard Anodized Lightend Aluminum Chassis (New)
- Brand New Center Chassis Lay Out Design (New)
- 2 Ways System Shock Caps
- Higher and Fixed Shock Spring Holder (New)
- S35 Series BBS System Hex-Cell Shock (New)
- 3mm Updated Rear Shock Studs
- Pro Ackerman Steering Plate (New)
- Lay-Down Type Steering System (New)
- Servo Saver Aluminum Part (New)
- Servo Saver Fixable Nut
- Servo Saver Post Locking Design (New)
- Pro-composite Carbon Steering Servo Mount Plate (New)
- Steering Balls (New)
- Pro-composite Carbon Steering Knuckle Plates (New)
- Updated Toe-In Plates with Square Inserts (New)
- Lightweight Wing Mount
- Composite Rear Hubs with Carbon Plates
- Multi Adjustable Ball System for Rear Upper Arms
- Anticlock Screws for Shocks
- Easy Change Motor Mounting Plate
- 3 HET Differentials Included
- Front and Rear Universal Cross Drive Shafts
- 2 Front Chassis Braces Included
- Black Competition Shock Springs Included
- Adjustable Wing Position
- Adjustable Wing Angle



<b>Specification</b>	
<b>Length:</b>	<b>560mm</b>
<b>Width:</b>	<b>410mm</b>
<b>Height:</b>	<b>230mm</b>
<b>Ground Clearance:</b>	<b>80mm</b>
<b>Wheelbase:</b>	<b>375-380mm</b>
<b>Track:</b>	<b>F:366mm /R:368mm</b>
<b>Gear Ratio:</b>	<b>C:48/15T, F/R:46/10T</b>
<b>Weight:</b>	<b>4280g (Race condition)</b>

## **WARRANTY**

Your SWORKz S35-T2e EVO kit warranty covers workmanship and manufacturing defects of the original and unmodified parts. Warranty claims resulting from crashes, abuse, improper operation, improper mounting, improper adjustment or lack of maintenance will not be honored.

Contact your local hobby shop or SWORKz distributor for all claims and questions. Claims must be well documented. All Claims are subject to expert examination approval by SWORKz.



<b>INSTRUCTION</b>	<b>2</b>
<b>Warranty</b>	<b>3</b>
<b>Required Equipment for Operation.</b>	<b>5</b>
<b>Operation Guide</b>	<b>6</b>
<b>Assembly Steps</b>	<b>7-34</b>
<b>Set-up Sheet</b>	<b>33-36</b>
<b>S35-T2e EVO Key No. List.</b>	<b>37</b>
<b>S35-T2e EVO Spare Part No. List.</b>	<b>38</b>
<b>S35-T2e EVO Option Part No. List.</b>	<b>39</b>
<b>Exploded View</b>	<b>40-43</b>
<b>End cover</b>	<b>44</b>

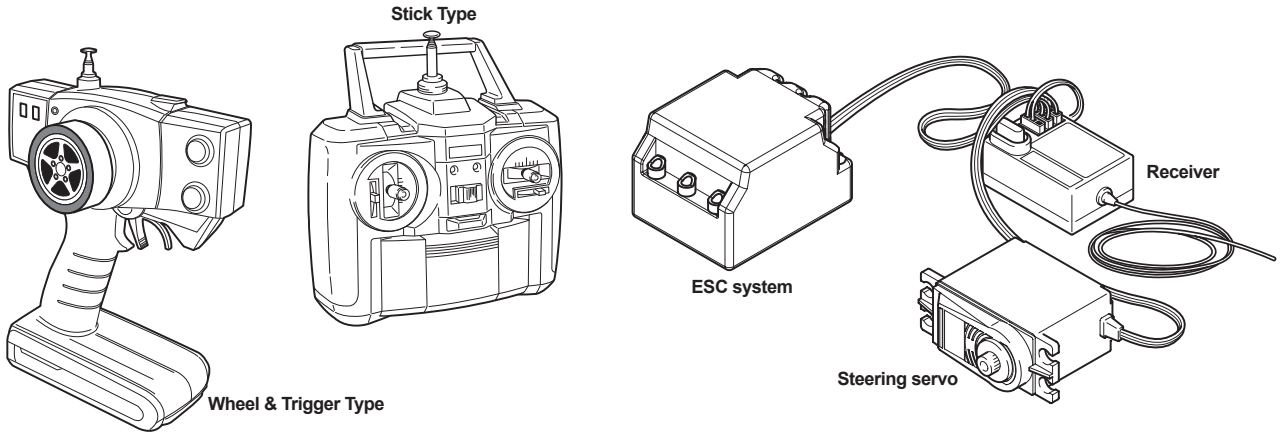


**This radio controlled racing car is not a toy!**

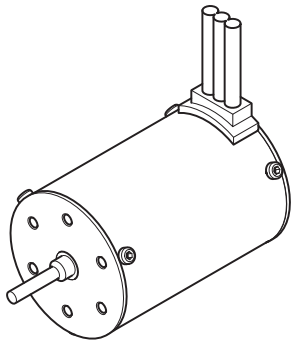
**This high-performance R/C model is recommended for ages 14 and older.**

# Required Equipment for Operation

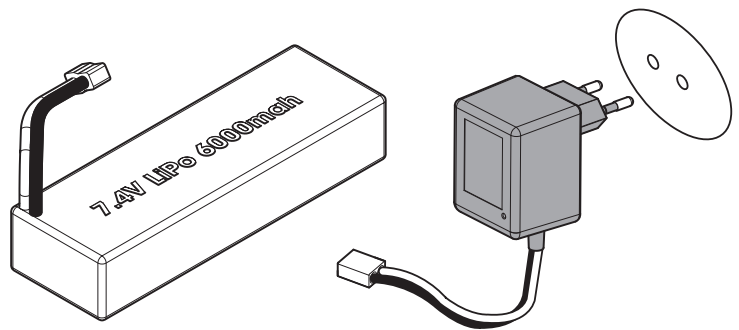
## Radio Gear



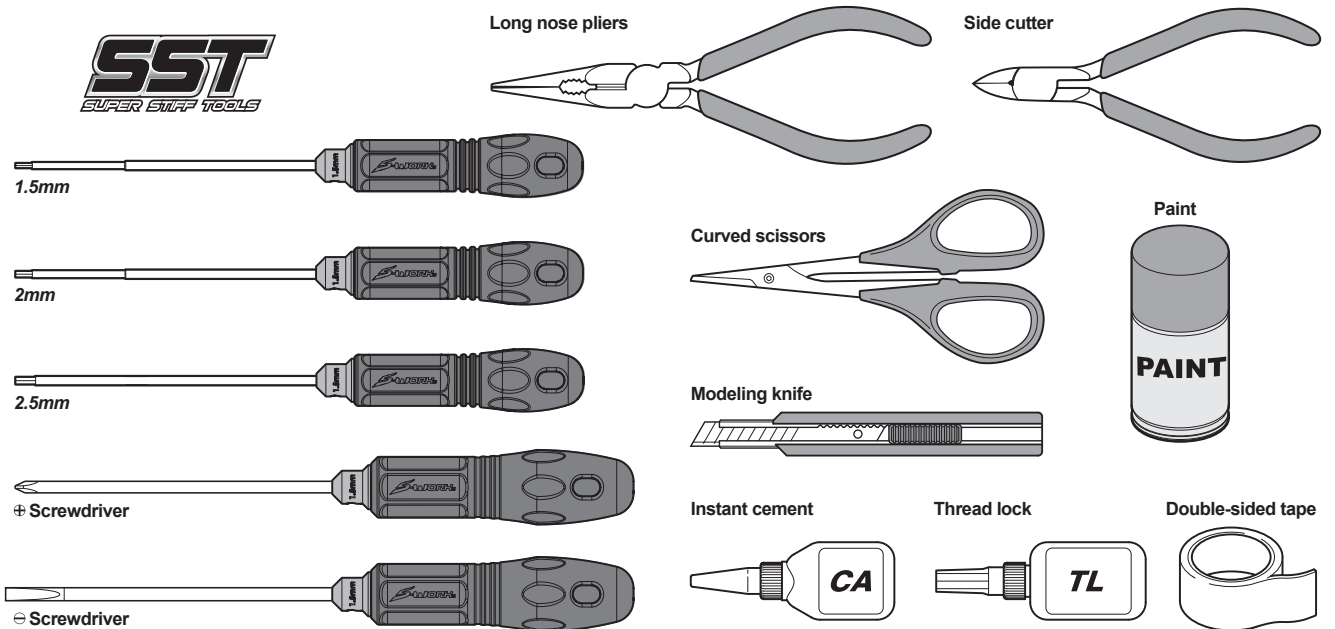
## Brushless Motor



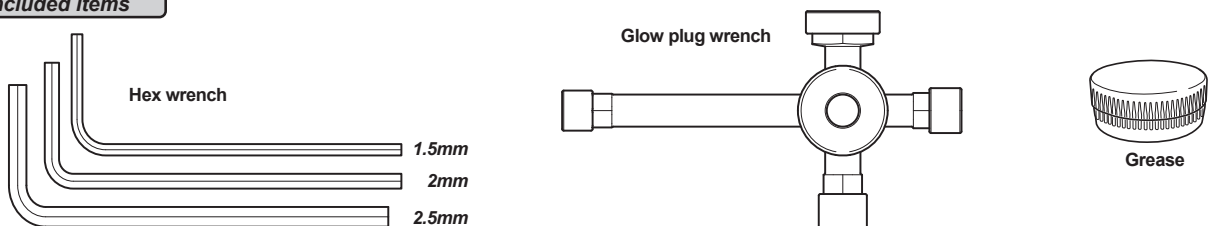
## Charger and LiPo Battery



## Tools Recommended



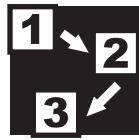
## Included items



## Operation Guide



Assemble front and rear



Assemble in the specified order



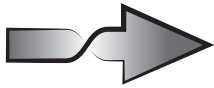
Assemble both left and right sides



Assemble for 2 sets



Assemble for 4 sets



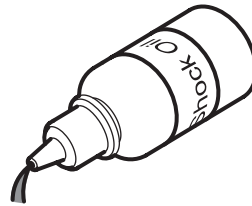
overturn



Thread Locking Compound



Grease



Pure Silicone Oil



Air filter oil

## Safety Precautions

The SWORKz S35-T2e EVO is a high performance radio controlled model which needs to be operated with caution and common sense.

The S35-T2e EVO Pro Kit is not intended for children under the ages of 14 without adult supervision. SWORKz shall not be held liable for any loss or damages, whether direct, indirect, act of nature, arising from the abuse or misuse of this product or any other product required while operating this model.

- The LiPO Battery can be dangerous is improperly handled.
- Always keep your LiPO Battery in a cool area and never use near flame, sparks, or while smoking.
- Keep your LiPO Battery, and all other flammables, out of the reach of children.
- After running your car, all parts of the Motor and ESC can become extremely hot. Be careful not to touch these parts.
- This model is controlled by your radio and that is vulnerable to interference from many outside sources. This interference can cause a loss of control so it is necessary to operate this model in an open area to avoid personal, or property damage. Always ensure turning on your radio first.
- Keep all the products included in the package out of reach of children.
- This model contains many fast rotating parts. Never touch them during operation.
- Follow the instruction included with your radio gear.
- Never operate your model near people or property. The speed of this model has the potential for injury and or damage to people and or property.
- Always use original SWORKz spare and option parts.
- Always ensure the buggy is in proper working condition before use.
- Always exercise caution when using any and all tools.

# BAG B

**1** **F** **R** **x2**

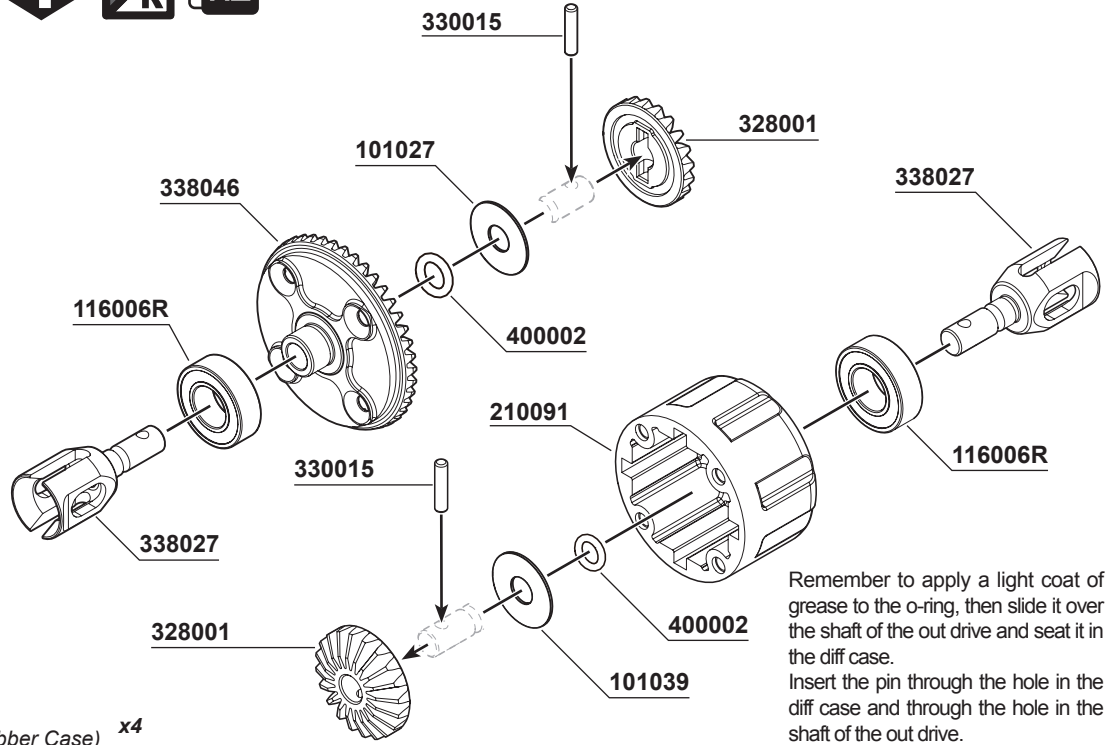
**330015**  
Pin M2.2x9.9mm **x4**

**400002**  
O-ring S5 4.8X1.5 **x4**

**101027**  
Steel Washer 5x14x0.5mm **x2**

**101039**  
Steel Washer 5x12x0.3mm **x2**

**116006R**  
Ball Bearing 8x16x5mm (Red Rubber Case) **x4**



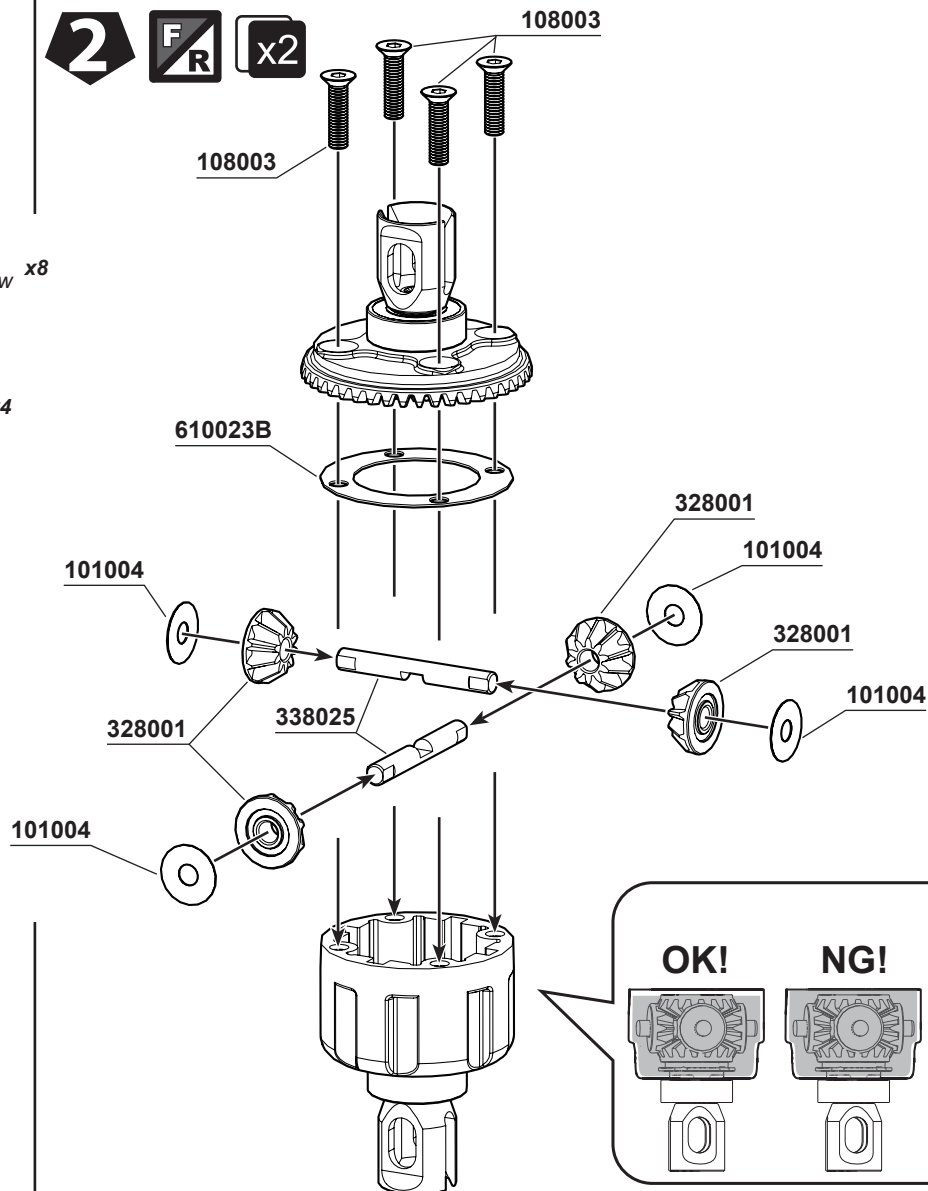
Remember to apply a light coat of grease to the o-ring, then slide it over the shaft of the out drive and seat it in the diff case. Insert the pin through the hole in the diff case and through the hole in the shaft of the out drive.

**2** **F** **R** **x2**

**108003**  
M3x10mm FH/ST HEX Screw **x8**

**338025**  
S35-3W Bevel Gear Shaft **x4**

**101004**  
Washer 3.5X10X0.2mm **x8**



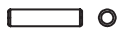
**OK!**

**NG!**

Fill the differentials with oil up to 80% above the satellite gears. Put the SWORKz Diff. Oil 10000cps for the front Diff. and 5000cps for the rear Diff.

# BAG C

## 3



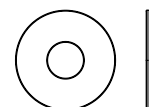
**330015**  
Pin M2.2x9.9mm x2



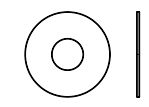
**400002**  
O-ring S5 4.8X1.5 x2



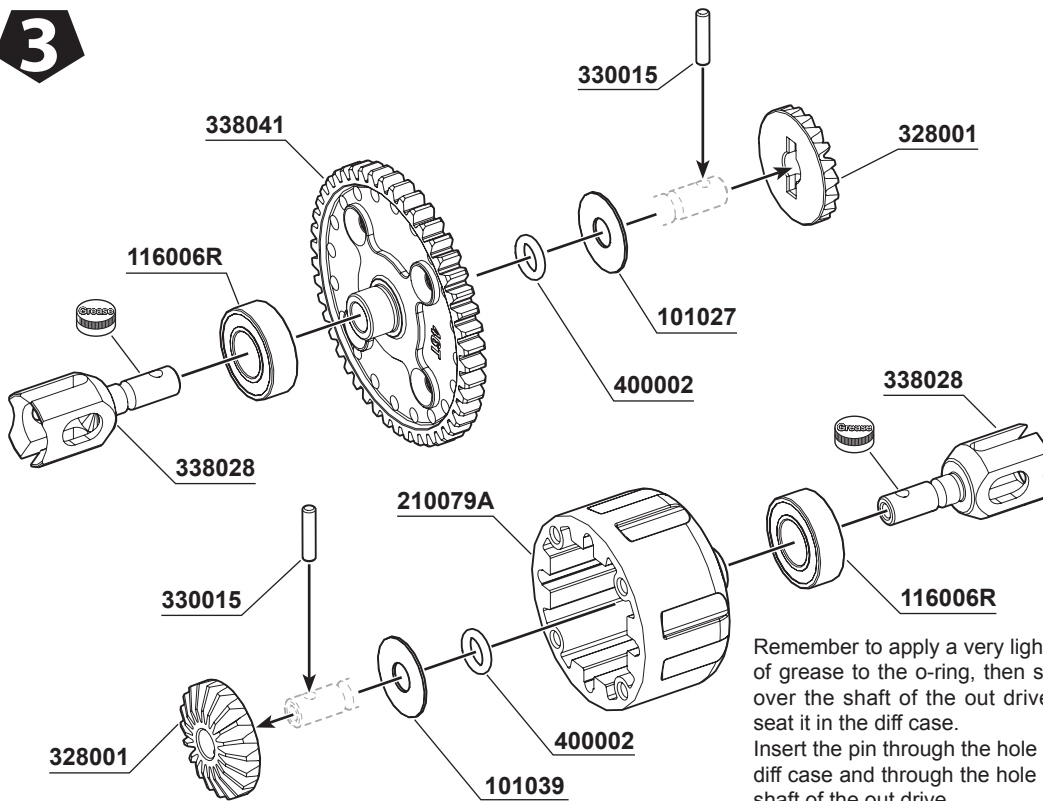
**116006R**  
Ball Bearing 8x16x5mm (Red Rubber Case) x2



**101027**  
Steel Washer 5x14x0.5mm x2



**101039**  
Steel Washer 5x12x0.3mm x2



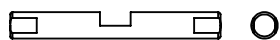
Remember to apply a very light coat of grease to the o-ring, then slide it over the shaft of the out drive and seat it in the diff case.

Insert the pin through the hole in the diff case and through the hole in the shaft of the out drive.

## 4



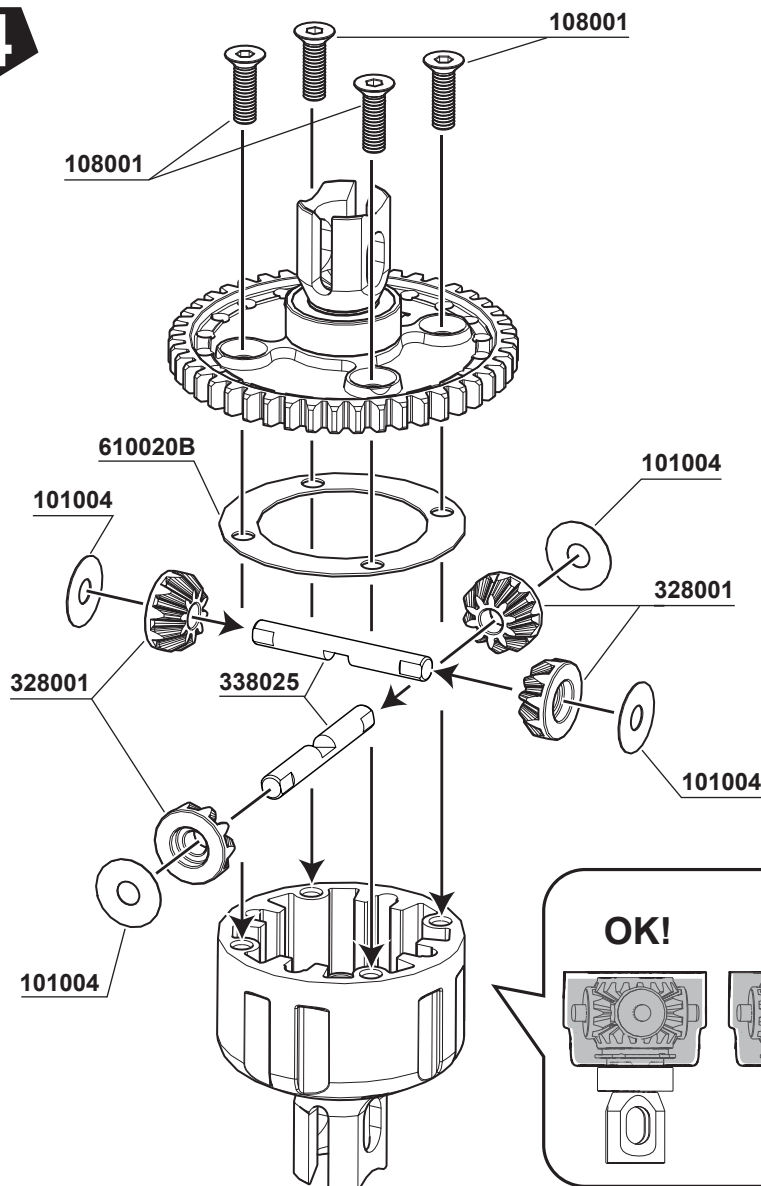
**108001**  
M3x12mm FH/ST HEX Screw x4



**338025**  
S35-3W Bevel Gear Shaft x4

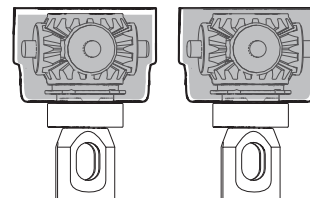


**101004**  
Washer 3.5X10X0.2mm x4



**OK!**

**NG!**



Fill the differentials with oil up to 80% above the satellite gears. Put the SWORKz Diff. Oil 10000cps for the center Diff.



Pro Tip:  
Before installing the M5x4 set screw (104010), remember to clean the set screw and center driver joint (330661A) first. Then apply TLC on the set screw.



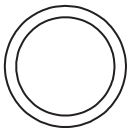
**104010**  
M5x4mm Set Screw (Flat Bottom) **x1**



**108001**  
M3x12mm FH/ST HEX Screw **x4**



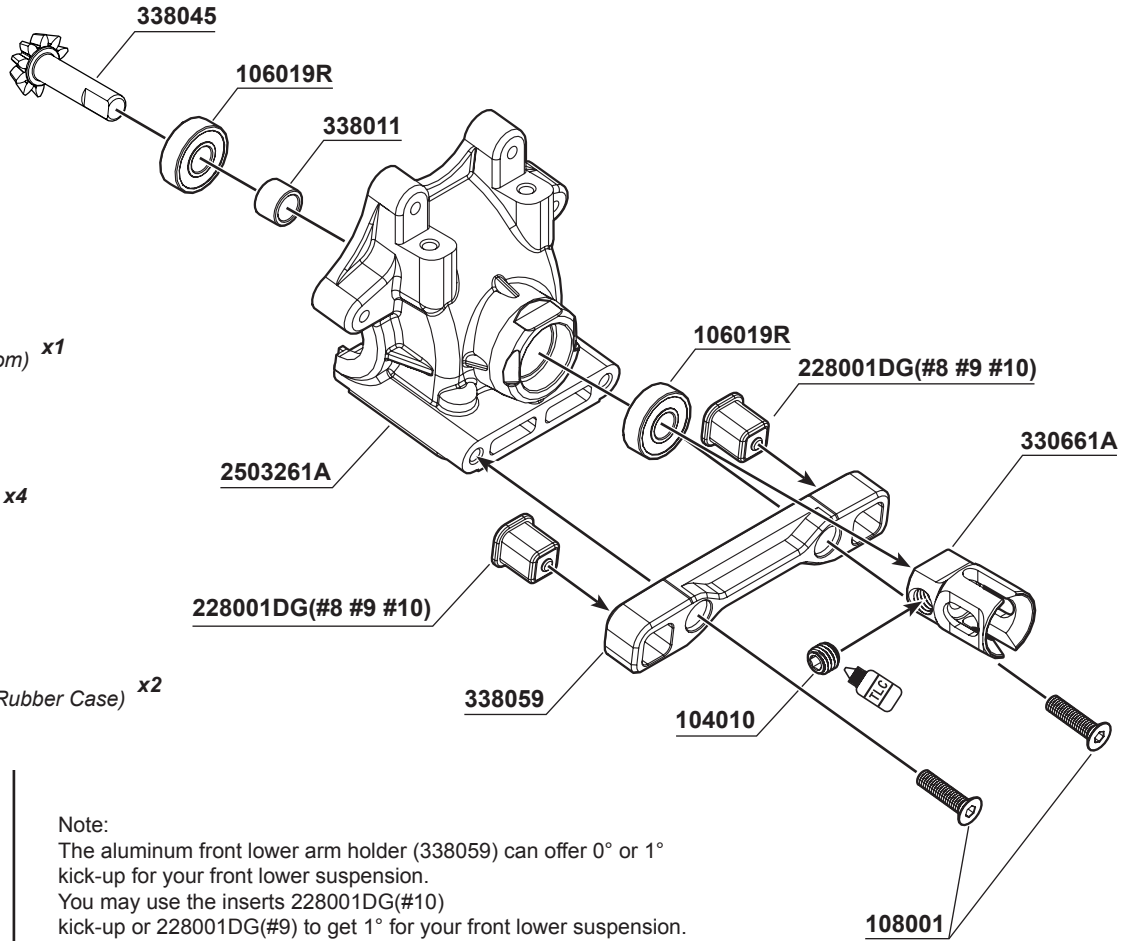
**116019R**  
Ball Bearing 5x13x4mm (Red Rubber Case) **x2**



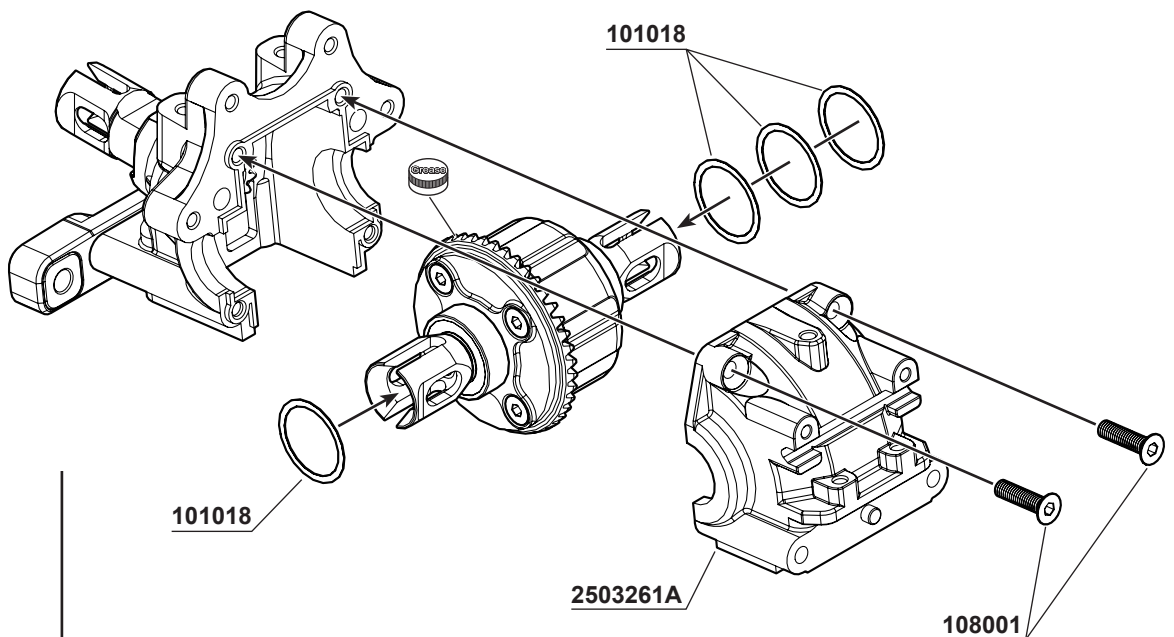
**101018**  
SHIM 13x16x0.2mm **x4**



**338011**  
S35 series Pinion Gear Stopper (5x7x5.1mm) **x1**



Note:  
The aluminum front lower arm holder (338059) can offer 0° or 1° kick-up for your front lower suspension. You may use the inserts 228001DG(#10) kick-up or 228001DG(#9) to get 1° for your front lower suspension.




Note:  
**101018SHIM 13x16x0.2mm**  
Please use 13x16x0.2mm shims to adjust the play between the crown gear and pinion gear. Standard suggestion is 1pc shim on the diff crown gear side and 3 pcs on the other side.

# BAG D

## 6 Rear

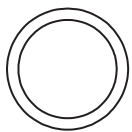
Pro Tip:  
Before installing the M5x4 set screw (104010), remember to clean the set screw and center driver joint (330661A) first. Then apply TLC on the set screw.

  
108001  
M3x12mm FH/ST HEX Screw x2

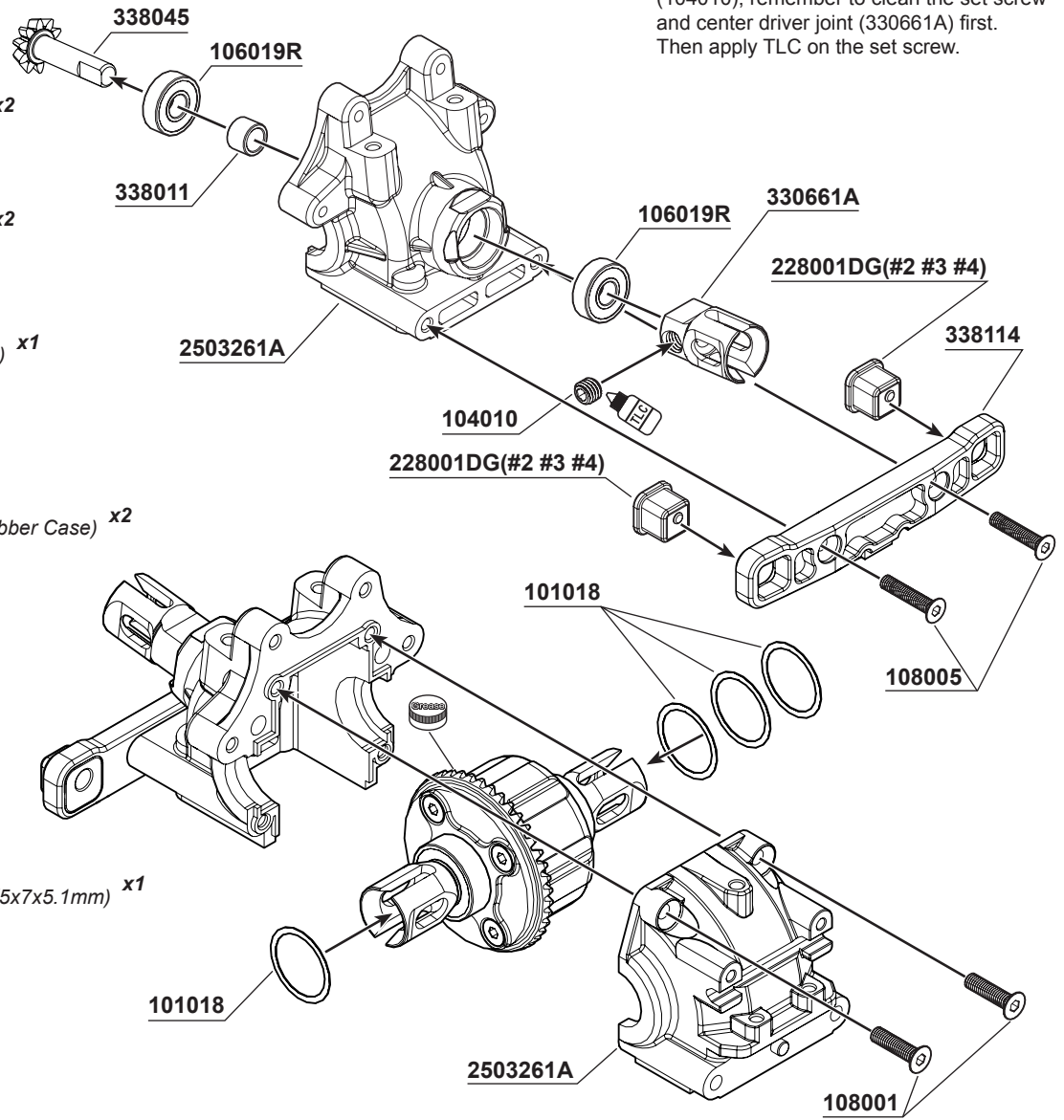
  
108005  
M3x14mm FH/ST HEX Screw x2

  
104010  
M5x4mm Set Screw (Flat Bottom) x1

  
116019R  
Ball Bearing 5x13x4mm (Red Rubber Case) x2

  
101018  
SHIM 13x16x0.2mm x4

  
338011  
S35 series Pinion Gear Stopper (5x7x5.1mm) x1

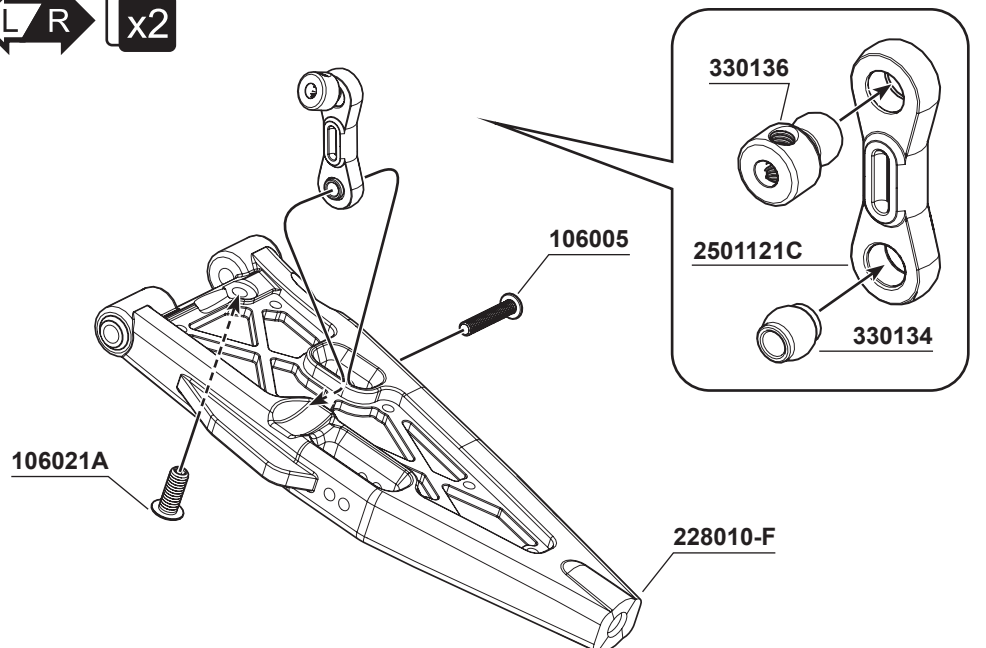


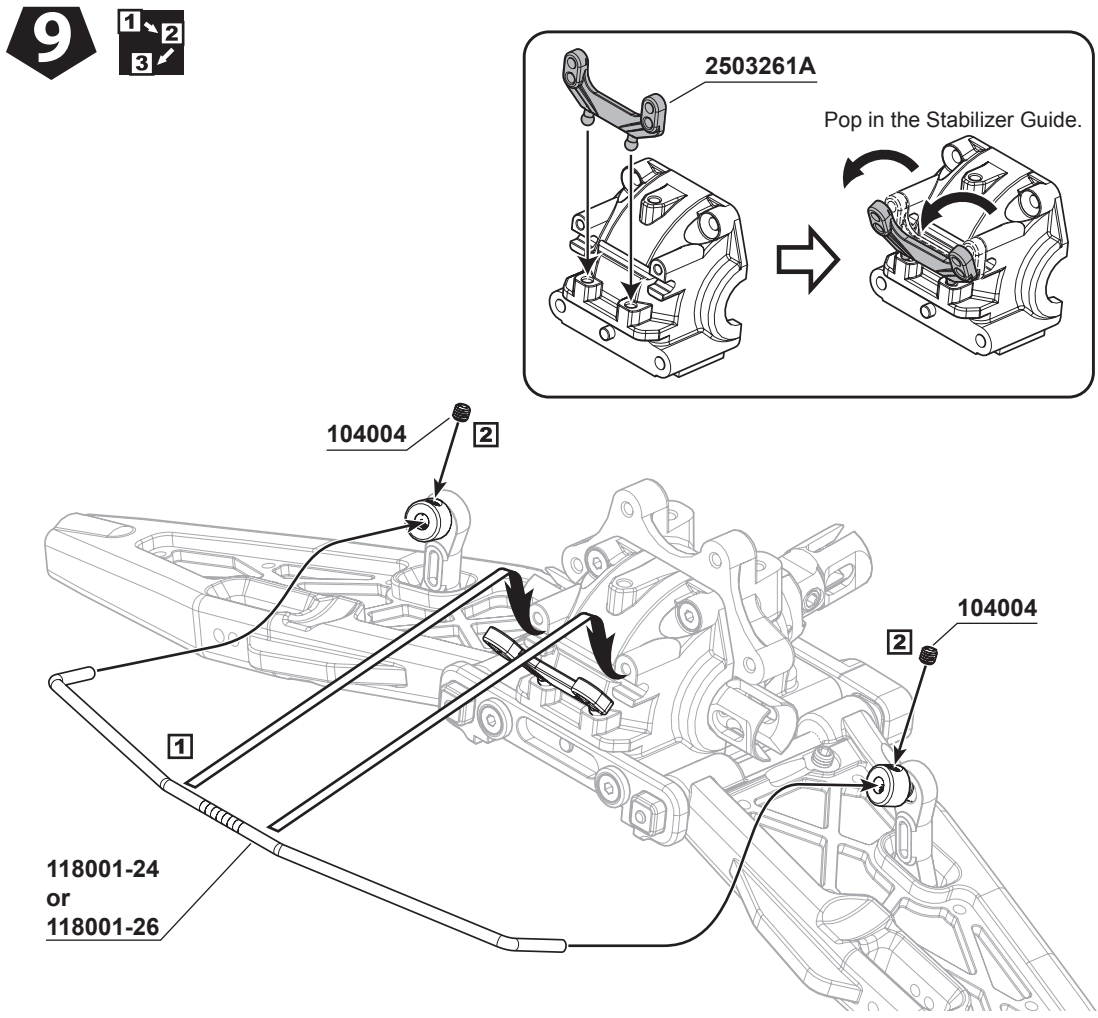
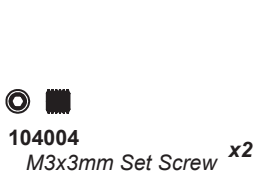
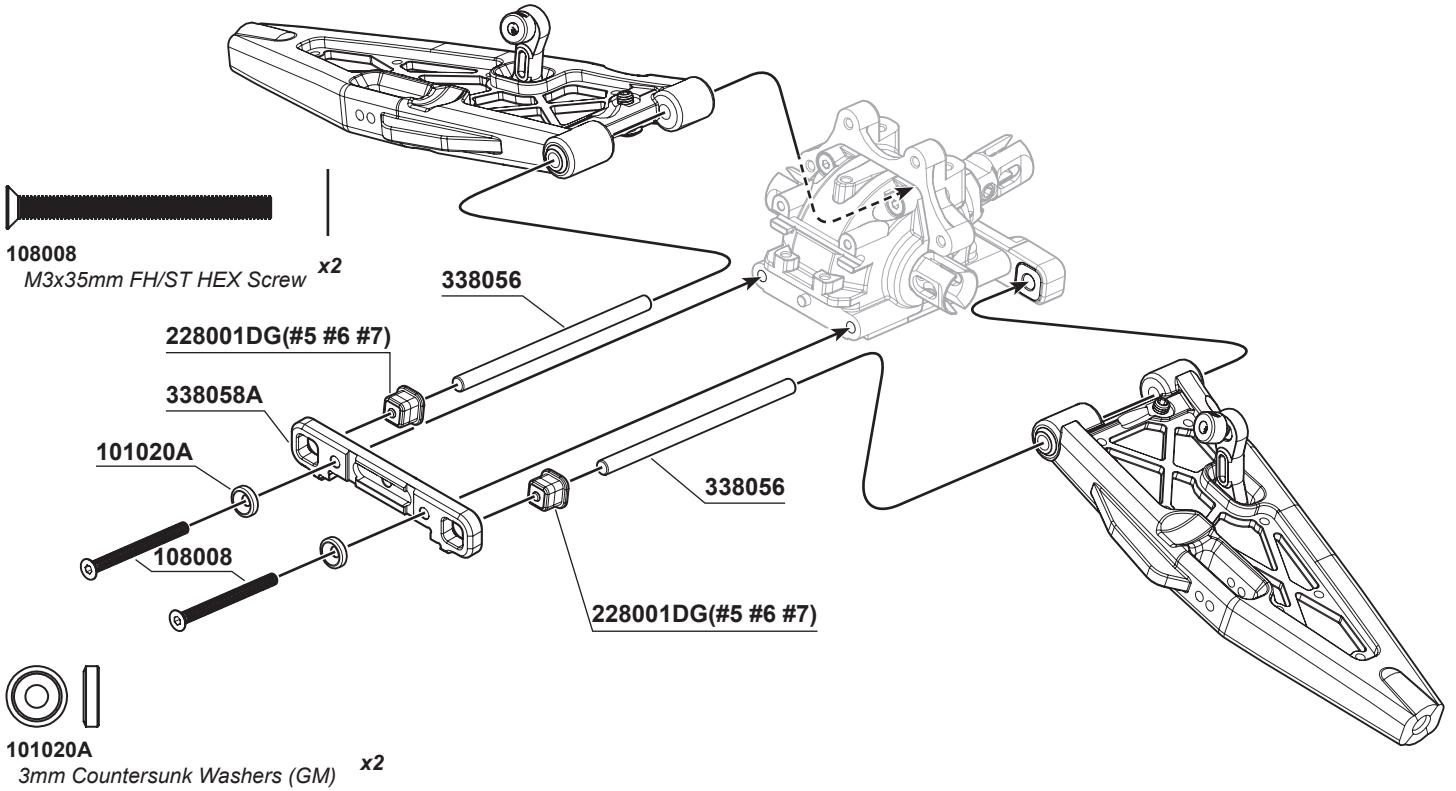
# BAG E1

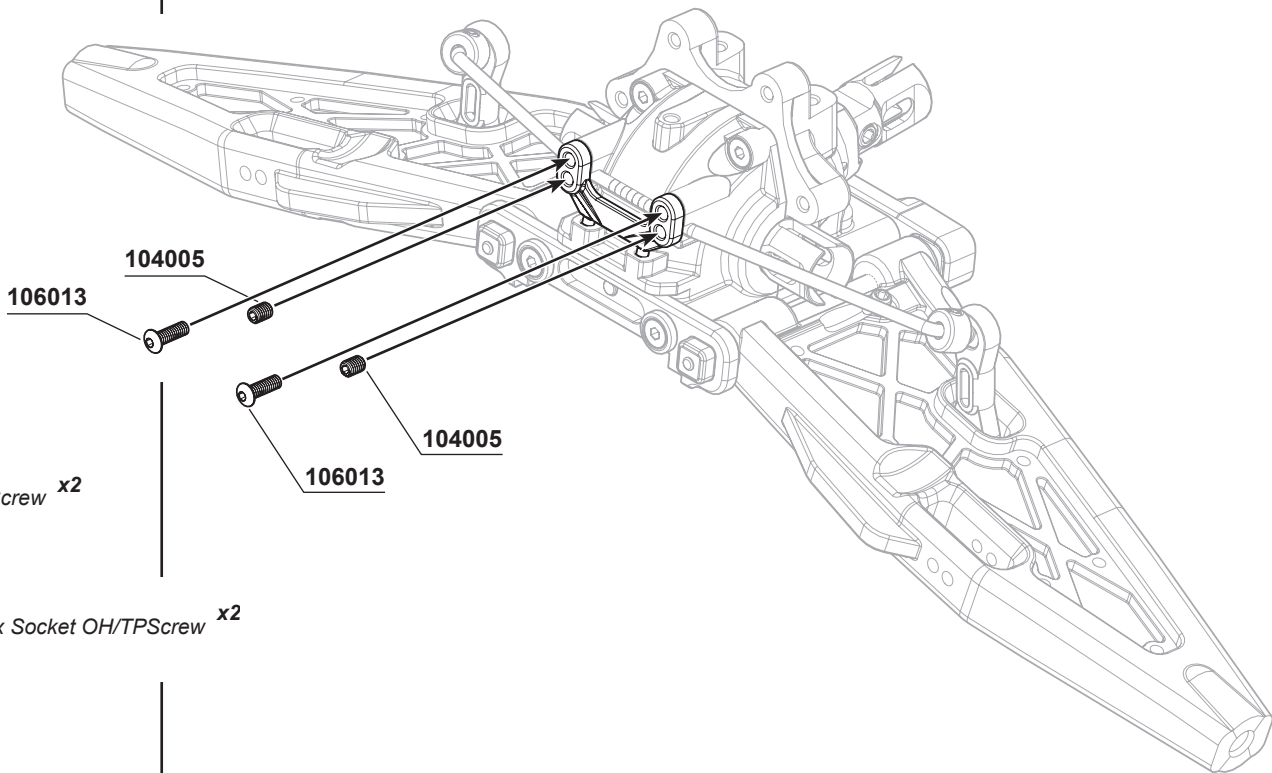
## 7 x2

  
106005  
M3x15mm Hex Socket OH/TP Screw x2

  
106021A  
M4x10mm Hex Socket OH/TP Screw x2







**104005**  
M3x4mm Set Screw x2



**106013**  
M2.5x8mmH ex Socket OH/TPScrew x2

**11** **L** **R** **x2**

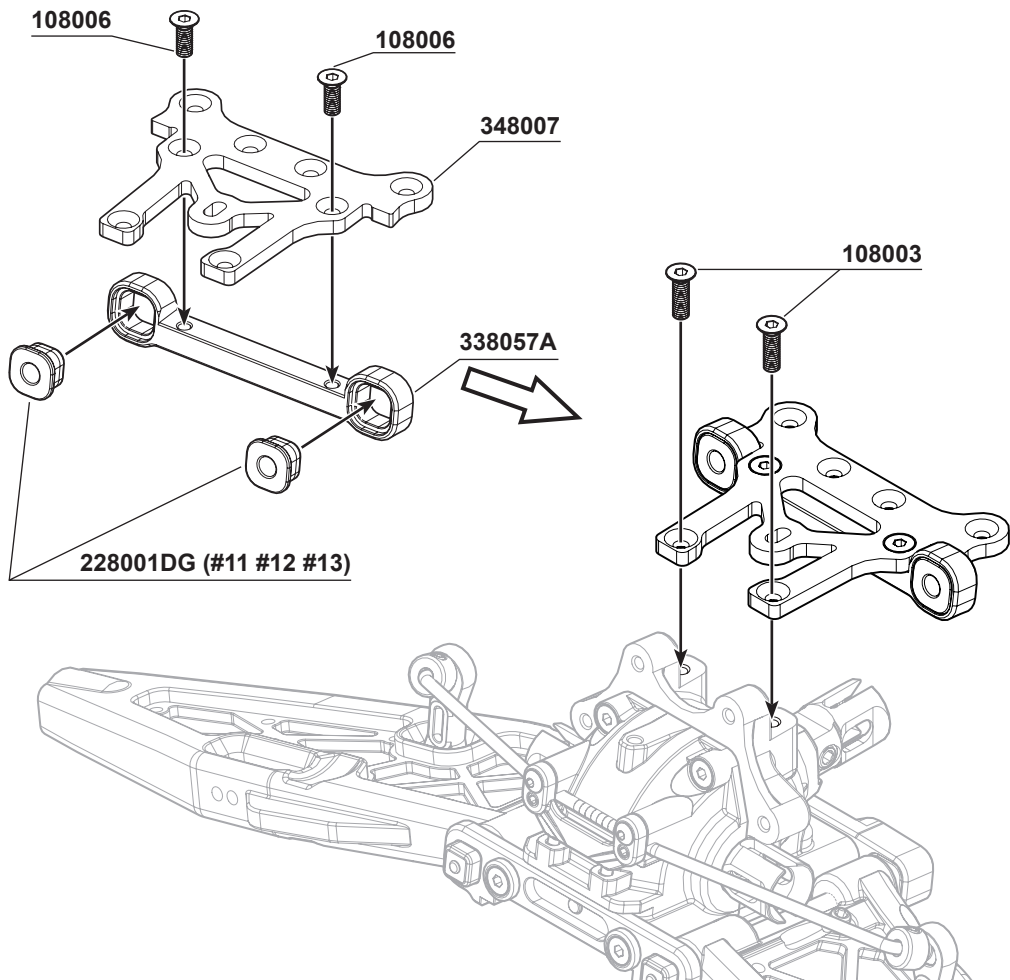
Note:  
The aluminum front upper arm holder (338057) can offer either 0° or + -1° kick-up for your front upper arm suspension. You may use the inserts 228001(#13) to get 0° kick-up or 228001(#12) to get + -1° for your front upper suspension.

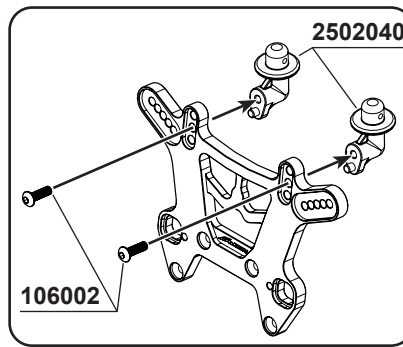


**108003**  
M3x10mm FH/ST HEX Screw x2

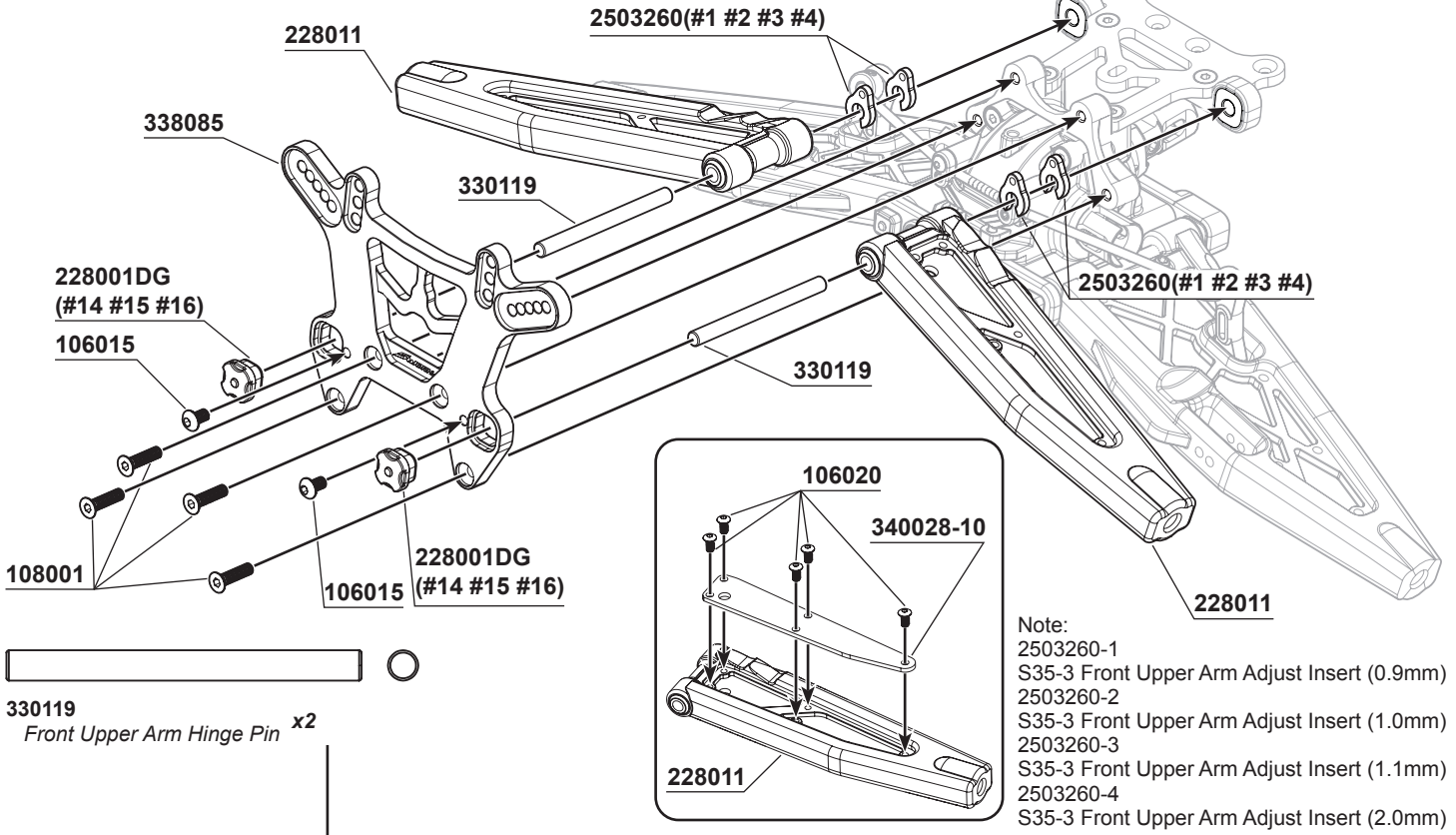
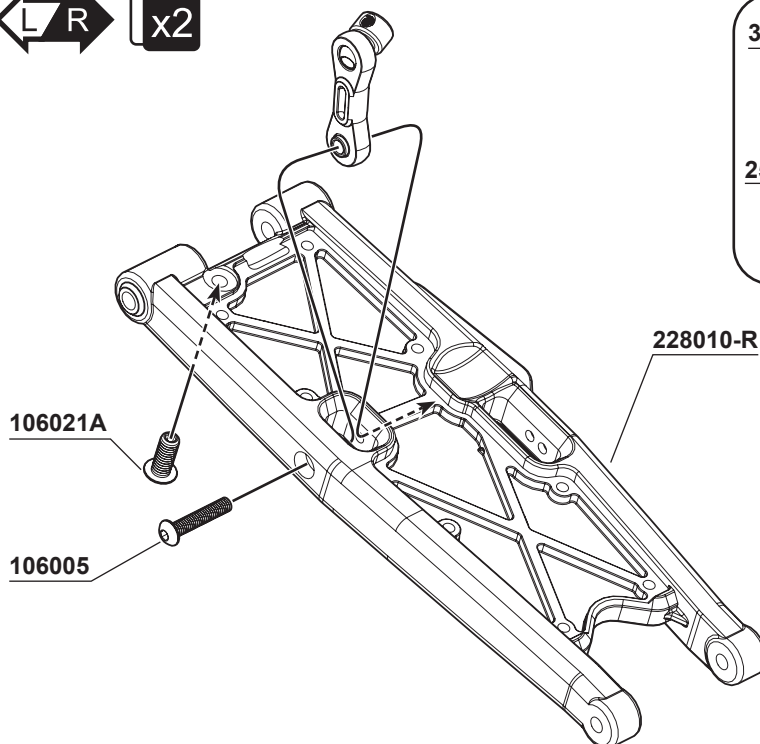


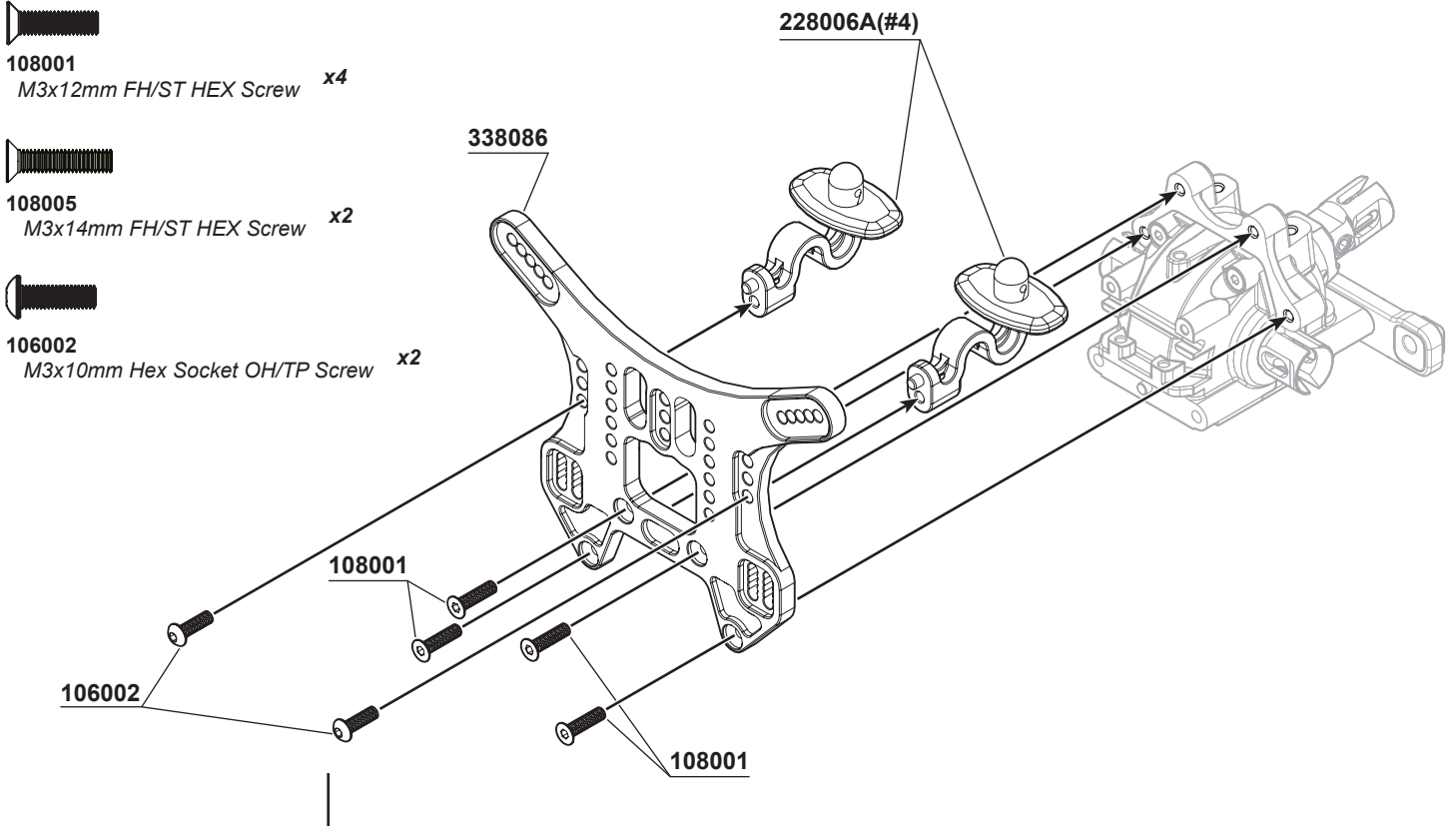
**108006**  
M3x8mm FH/ST HEX Screw x2



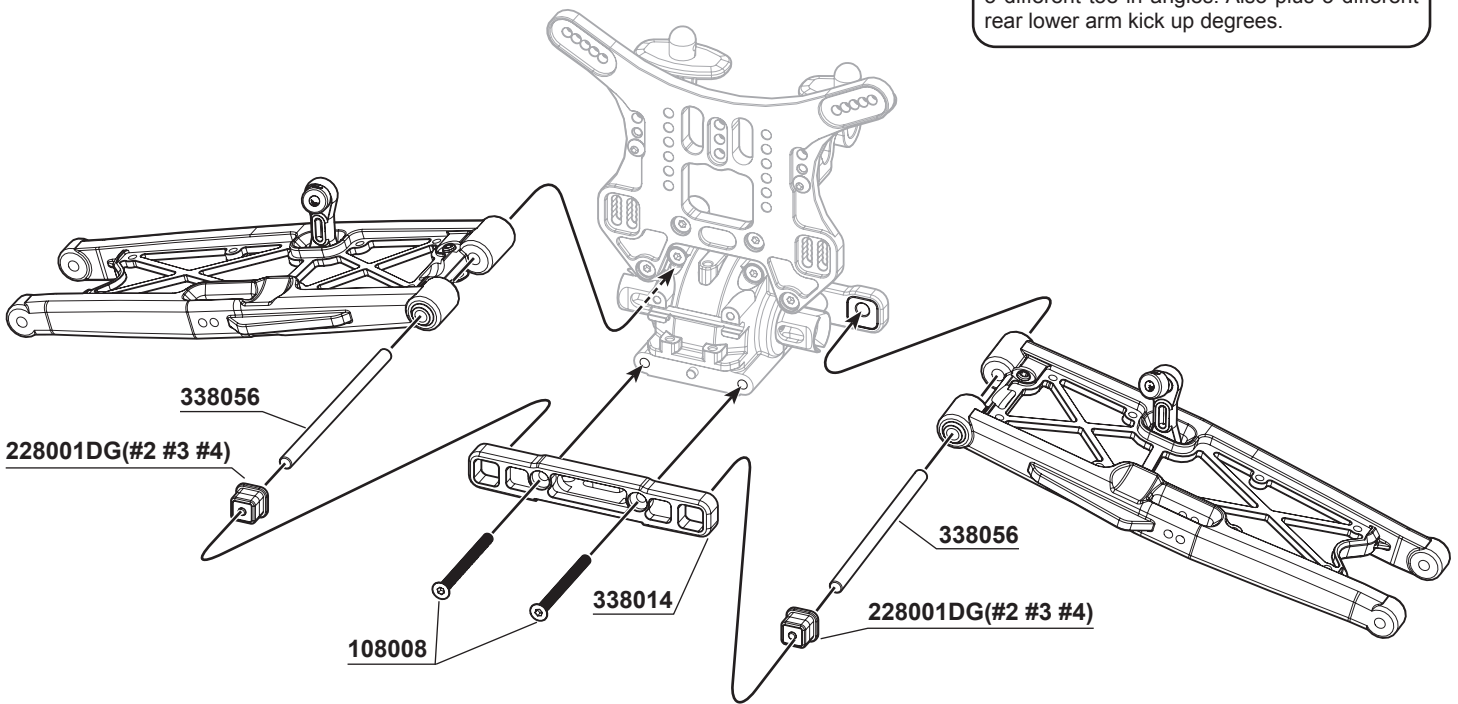
**BAG****E1****12****x2****108001**  
M3x12mm FH/ST HEX Screw x4**106015**  
M3x5mm Hex Socket OH/TP Screw x2**PRO TIP:**

The S35-T2e EVO Front Upper Arm Adjust Inserts can give different steering adjustments (Ackerman). Put all inserts behind the front upper arms, you will get faster steering response. Otherwise put all inserts in front of the upper arms, you will get more stable steering response. Try to use 2503260-1 or 2503260-3 to adjust the front upper arm position.

**330119**  
Front Upper Arm Hinge Pin x2**13****x2****106005**  
M3x15mm Hex Socket OH/TP Screw x2**106021A**  
M4x10mm Hex Socket OH/TP Screw x2



**15**



**PRO TIP:**  
The S35-T2e EVO Aluminum Rear Lower Fully Adjustable Toe-In Block (338014) can use 3 types of square inserts to get 1.0/2.0/3.0 3 different toe in angles. Also plus 3 different rear lower arm kick up degrees.

**OPTION:**  
228001DG-2 S35-4 Series Rear Lower Arm Holder Square Insert (+1/+1)  
228001DG-3 S35-4 Series Rear Lower Arm Holder Square Insert (0/+1)  
228001DG-4 S35-4 Series Rear Lower Arm Holder Square Insert (0)

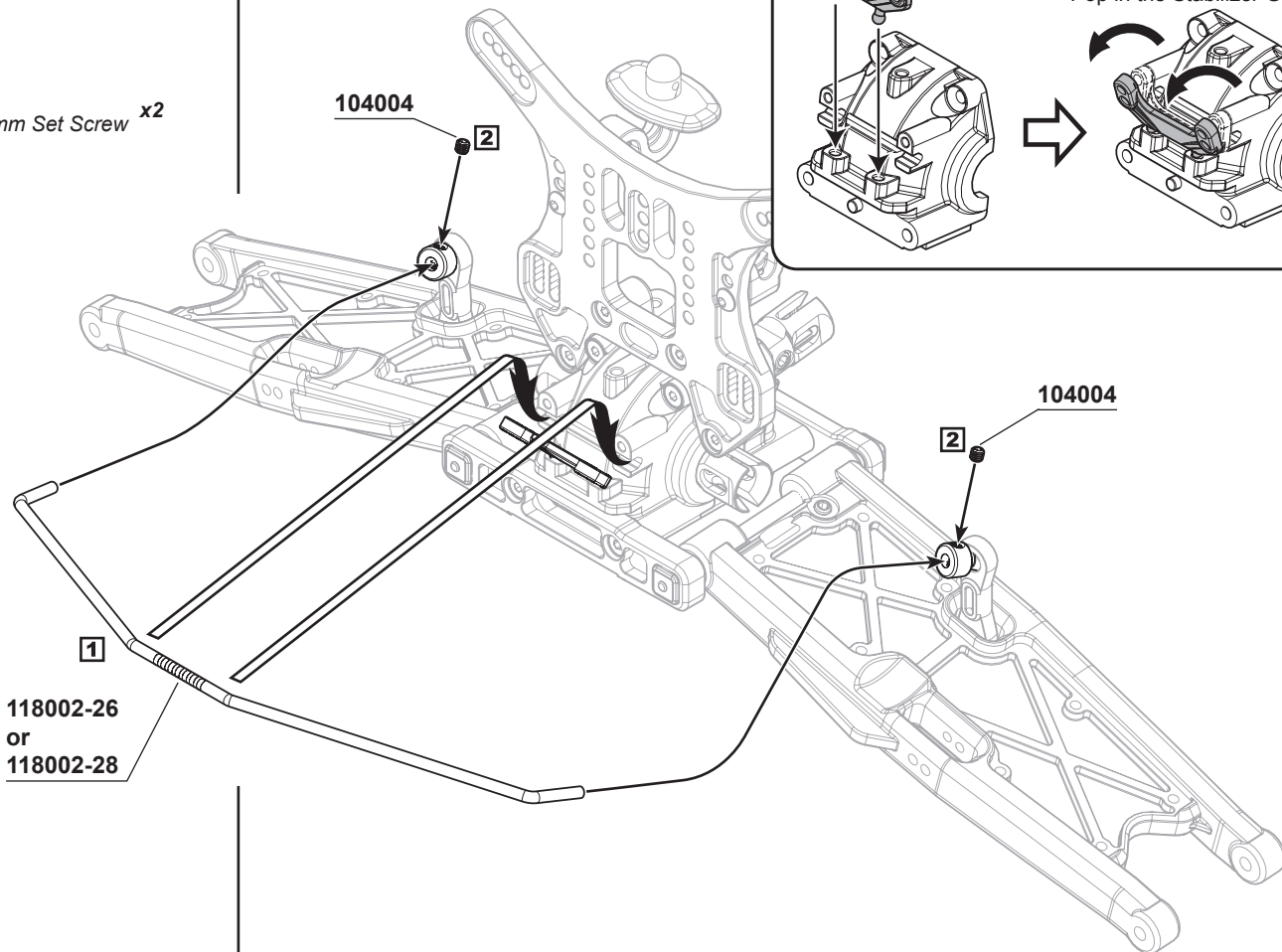
104004  
M3x3mm Set Screw x2

118002-26  
or  
118002-28

104004

2503261A

Pop in the Stabilizer Guide.



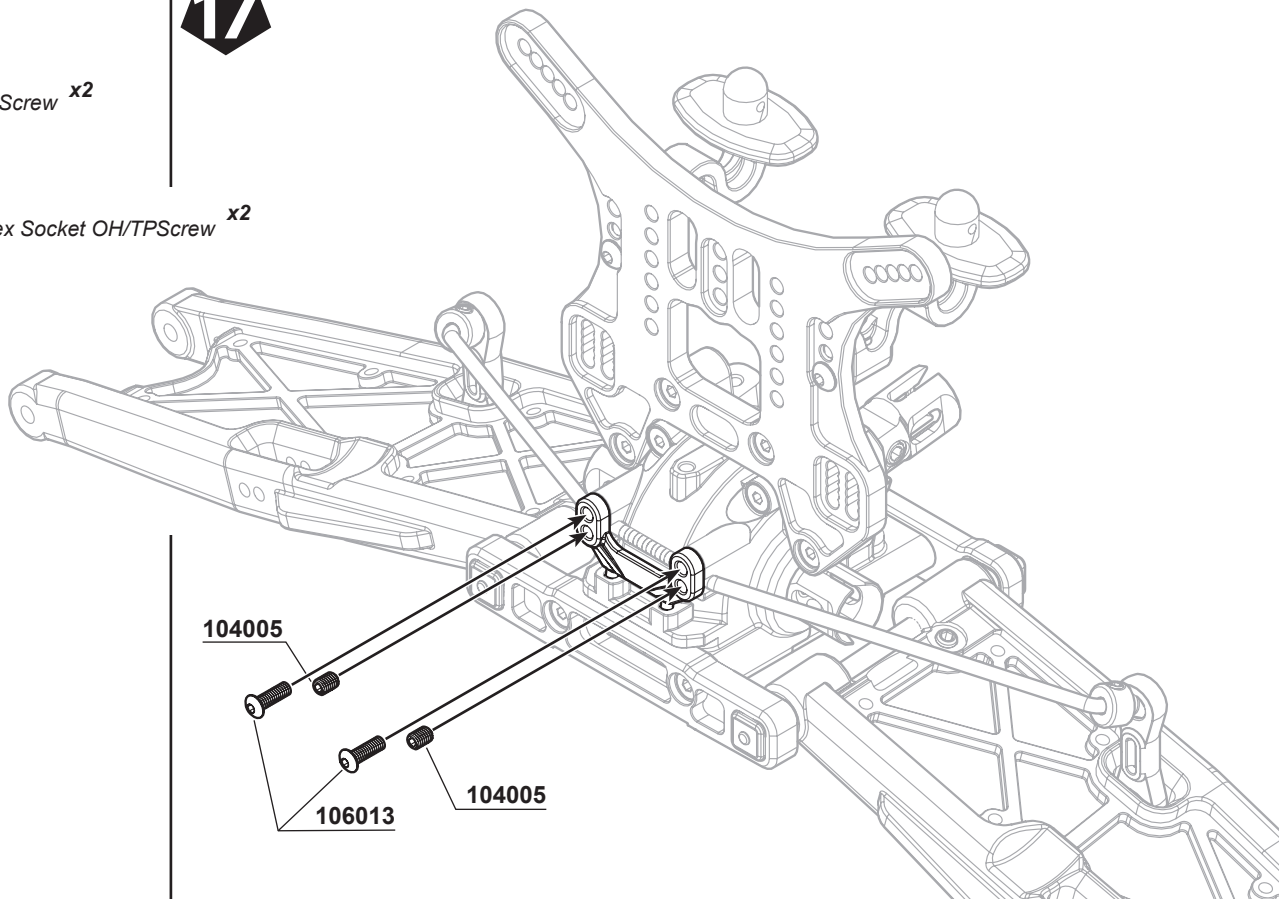
104005  
M3x4mm Set Screw x2

106013  
M2.5x8mmH ex Socket OH/TPScrew x2

104005

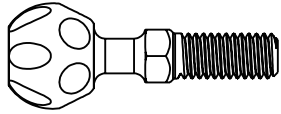
106013

104005

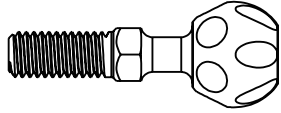




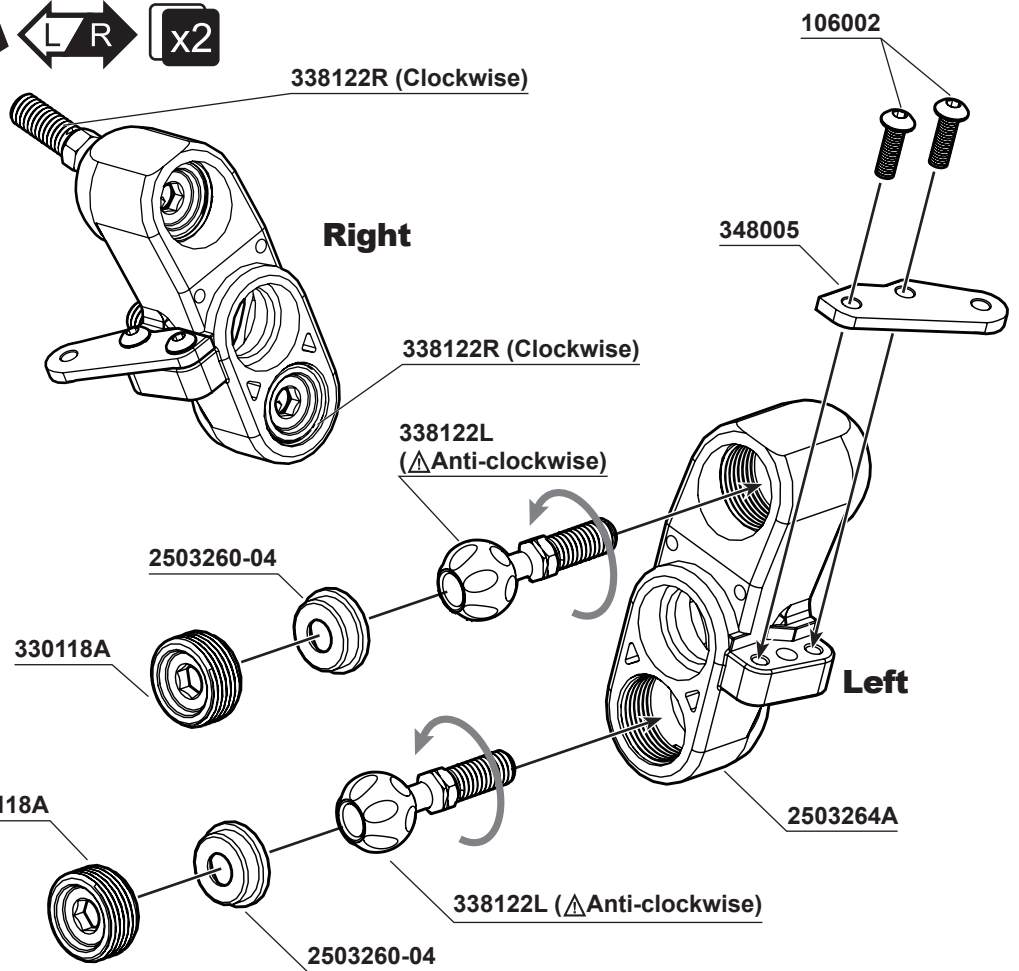
**106002**  
M3x10mm Hex Socket OH/TP Screw x4



**338122L**  
S35/S350/Apollo Series  
Lightened Steering Knuckle  
Pivot Ball Turnbuckle (Anti-Clockwise) x2



**338122R**  
S35/S350/Apollo Series  
Lightened Steering Knuckle  
Pivot Ball Turnbuckle (Clockwise) x2



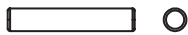
Screw and adjust 330118A Knuckle Pivot Ball Nut so as the pivot ball can be moved smoothly.



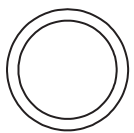
**116006R**  
Ball Bearing 8x16x5mm (Red Rubber Case) x4



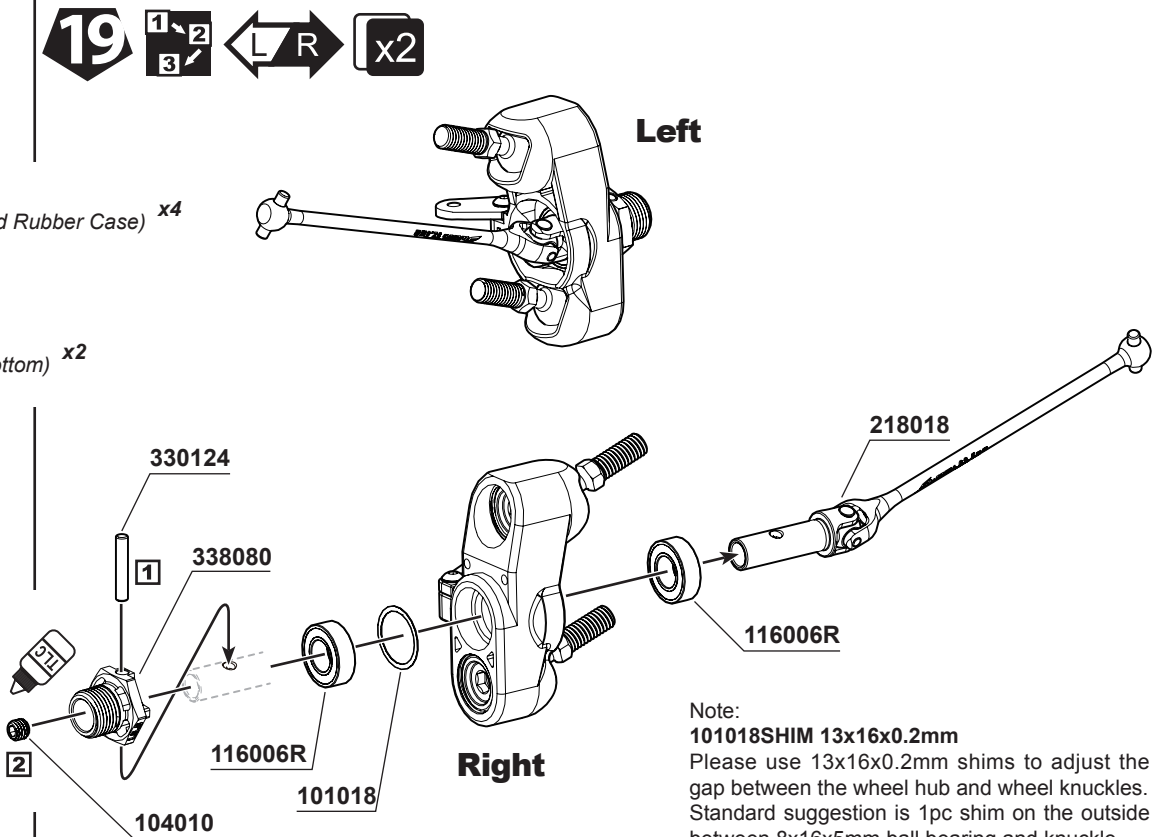
**104010**  
M5x4mm Set Screw (Flat Bottom) x2



**330124**  
Pin M3.0x16.8mm x2



**101018**  
SHIM 13x16x0.2mm x2



Note:  
**101018SHIM 13x16x0.2mm**  
Please use 13x16x0.2mm shims to adjust the gap between the wheel hub and wheel knuckles. Standard suggestion is 1pc shim on the outside between 8x16x5mm ball bearing and knuckle. If the wheel hub still has big play with knuckle, please try to put another shim in another side between ball bearing and knuckle.



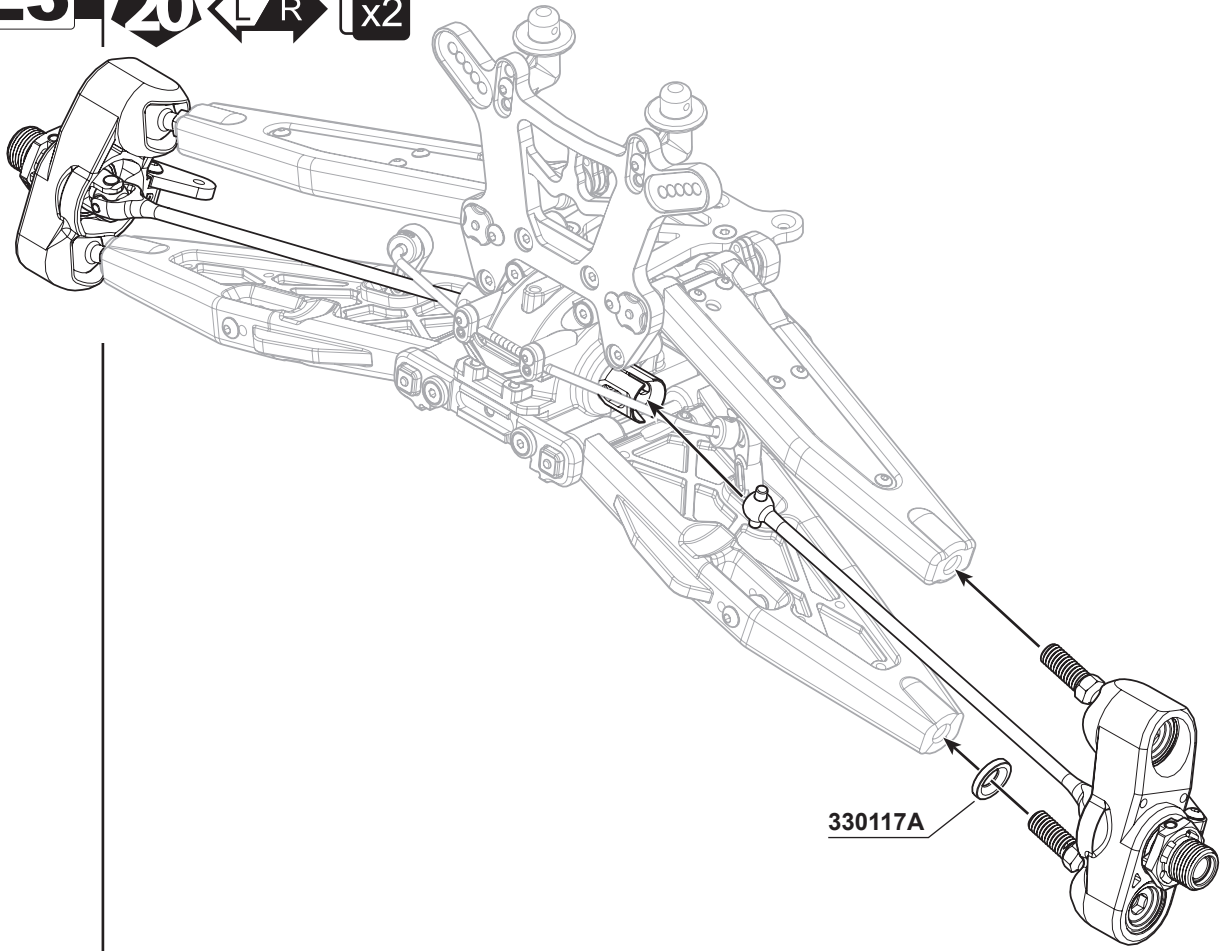
**BAG**

**E3**

**20**



**x2**



**BAG**

**E2**

**21**



103001  
M3 Nut Lock x2



101012  
M3x6xT0.6mm x2



117003  
Flange Ball Bearing 3x6x2.5mm x4



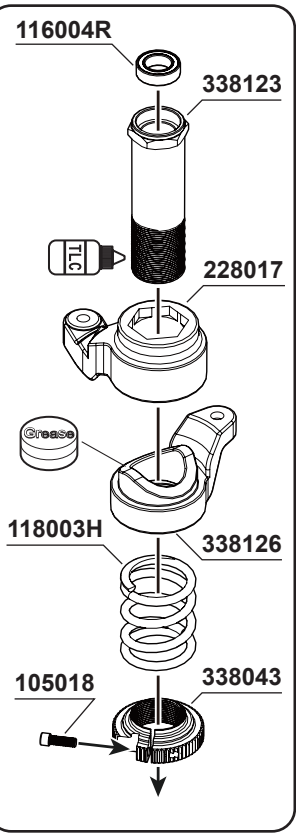
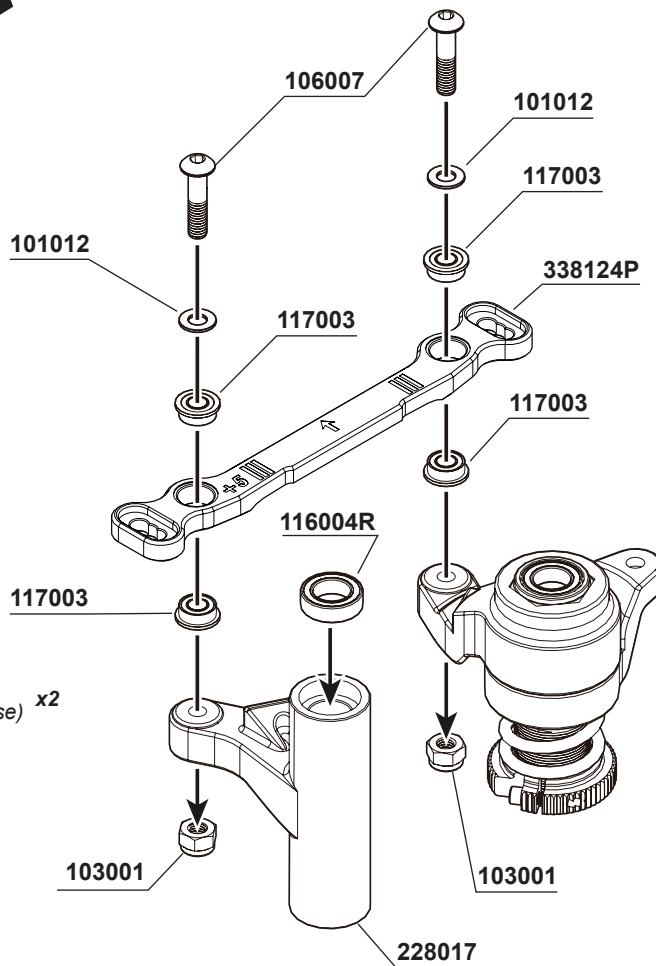
106007  
M3x12mm Hex Socket OH/TP Screw(HT) x2



116004R  
Ball Bearing 6x10x3mm (Red Rubber Case) x2



105018  
M2x6mm Cap Screw x1





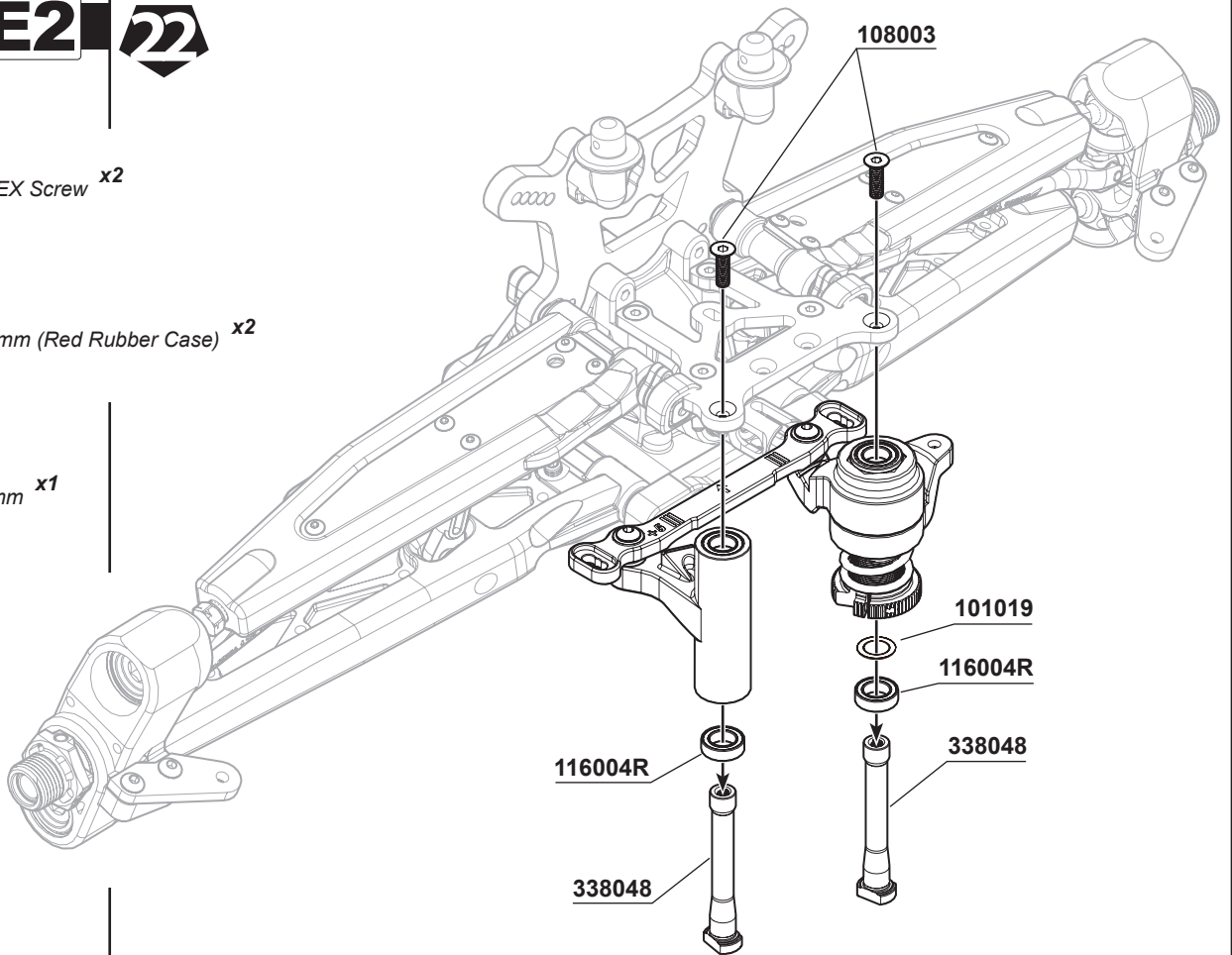
**108003**  
M3x10mm FH/ST HEX Screw **x2**



**116004R**  
Ball Bearing 6x10x3mm (Red Rubber Case) **x2**



**101019**  
SHIM 6.0x10.0x0.2mm **x1**



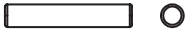
**23** **1-2-3** **L R** **x2**



**103001**  
M3 Nut Lock **x4**



**104010**  
M5x4mm Set Screw (Flat Bottom) **x2**



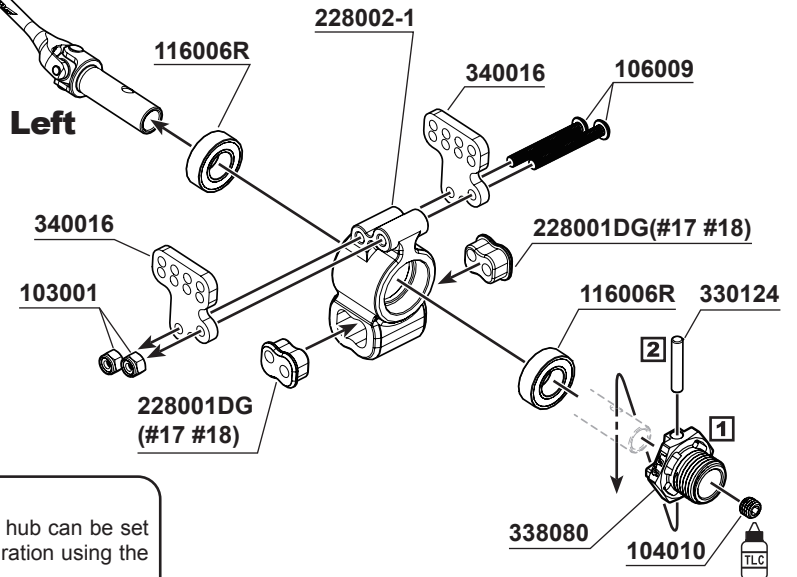
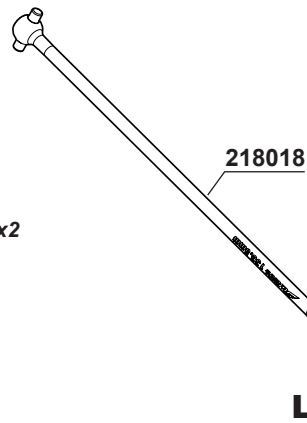
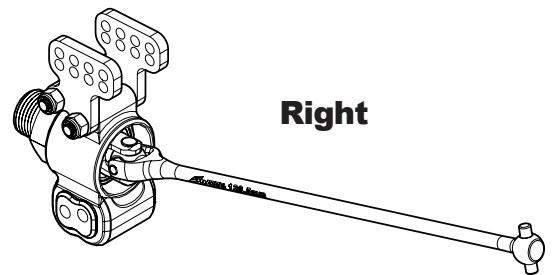
**330124**  
Pin M3.0x16.8mm **x2**



**106009**  
M3x25mm Hex Socket OH/TP Screw **x4**



**116006R**  
Ball Bearing 8x16x5mm (Red Rubber Case) **x4**

**PRO TIP:**

The new multi adjustable rear hub can be set to a wider or a narrow configuration using the inserts 228001DG (#17 #18)

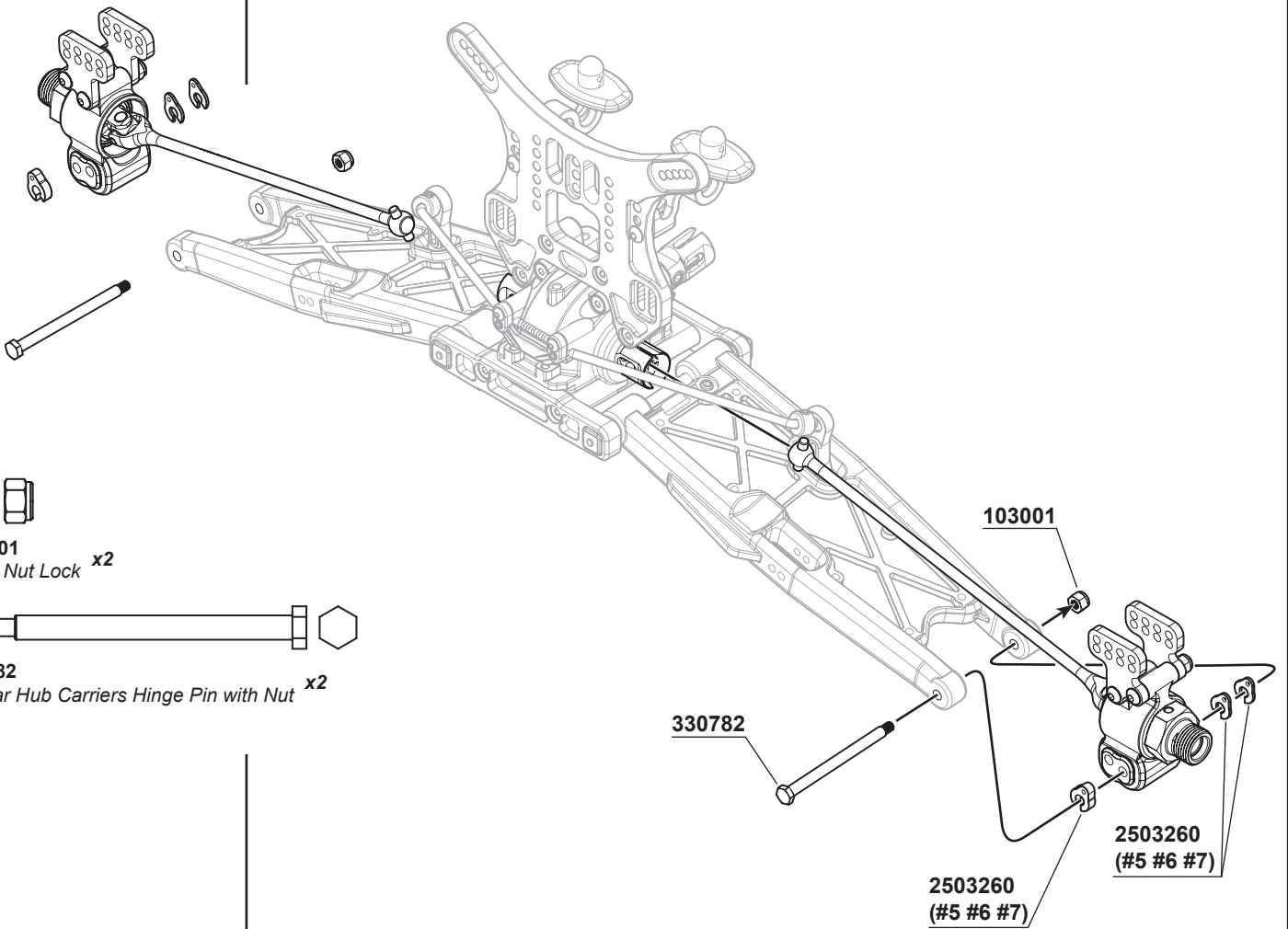
**BAG**

**E2**

**24**



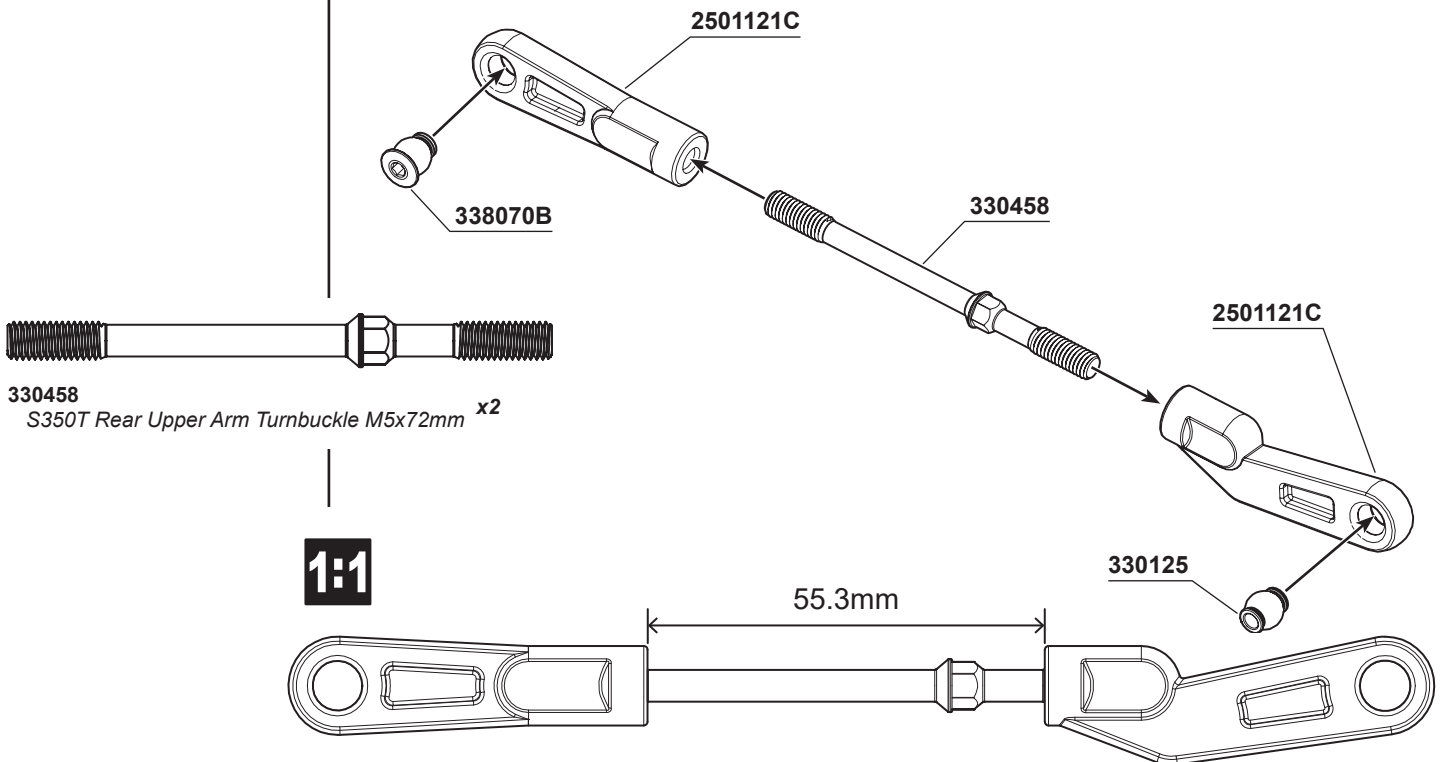
**x2**



**25**



**x2**





**106002**  
M3x10mm Hex Socket OH/TP Screw **x2**



**106009**  
M3x25mm Hex Socket OH/TP Screw **x2**



**103001**  
M3 Nut Lock **x2**

**106009**

**228001DG**

**106002**

**103001**

**27**



**106003**  
M3x16mm Hex Socket OH/TP Screw **x4**



**103001**  
M3 Nut Lock **x4**



**108019**  
M2.6x6mm Flat Head Screw - Hex Socket **x2**

**103001**

**228003A**

**228003A(#3)**

**108019**

**228003A(#3)**

**103001**

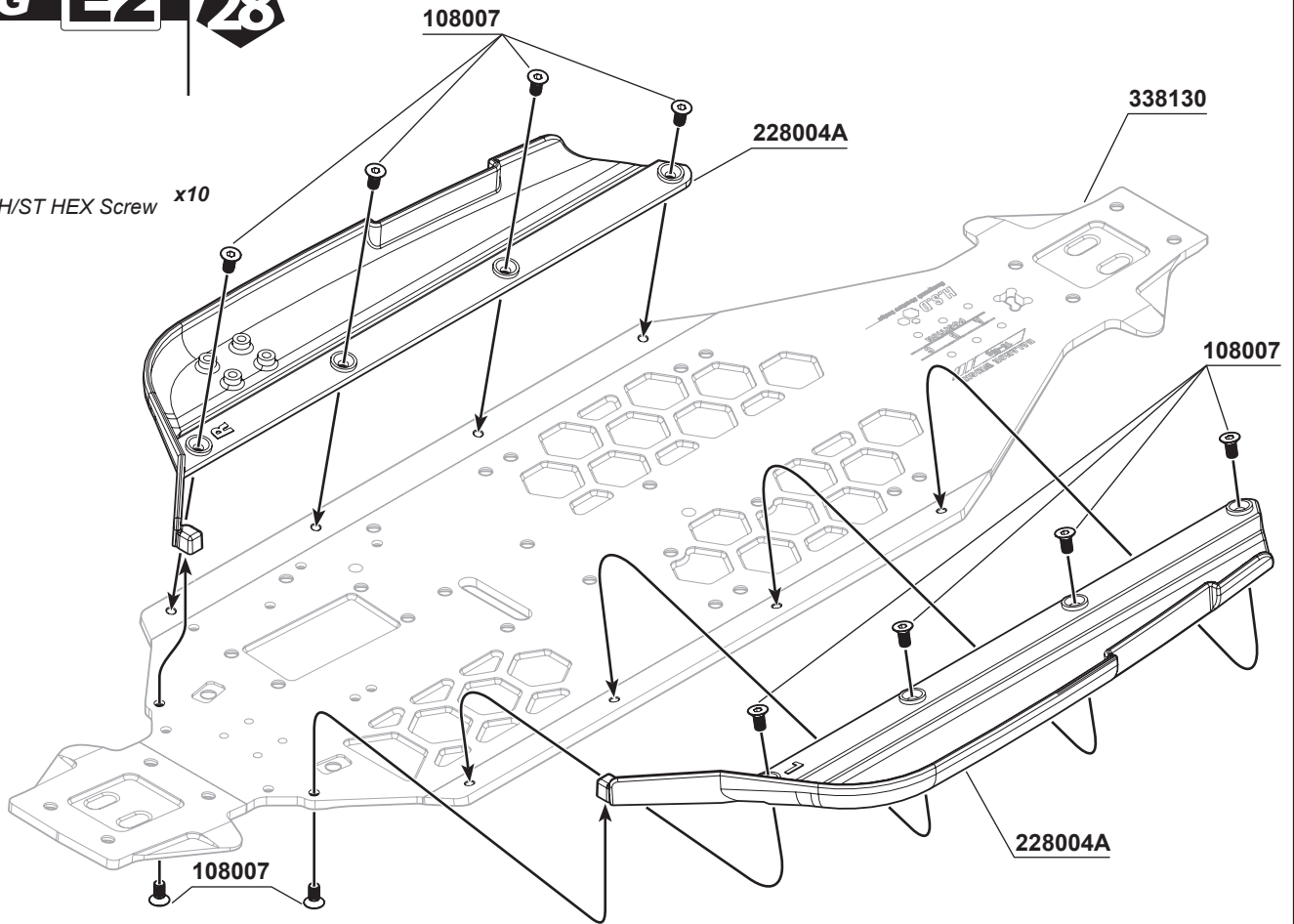
**103001**

**228003A**

**106003**



**108007**  
M3x6mm FH/ST HEX Screw x10



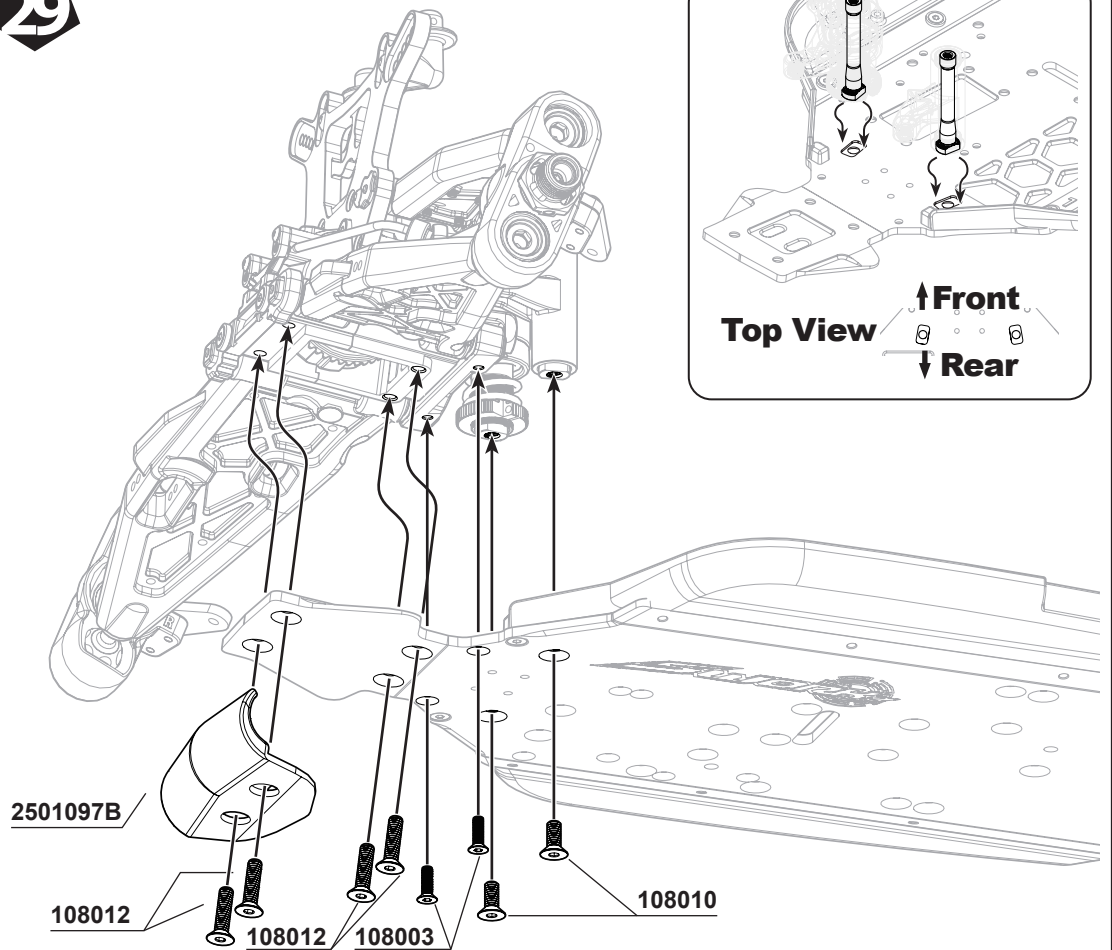
**108003**  
M3x10mm FH/ST HEX Screw x2









**108010**  
M4x10mm FH/ST HEX Screw x2

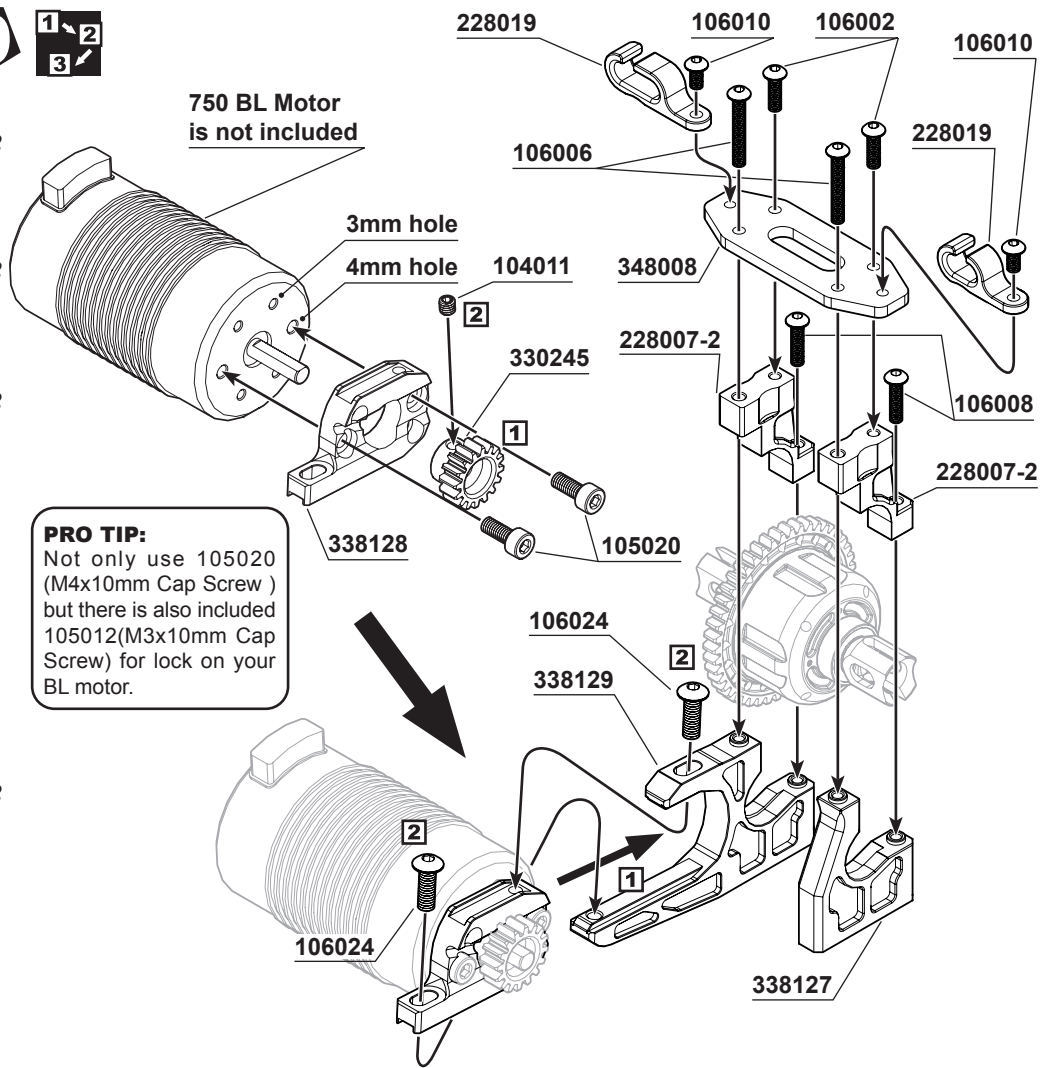




**108012**  
M4x16mm FH/ST HEX Screw x4

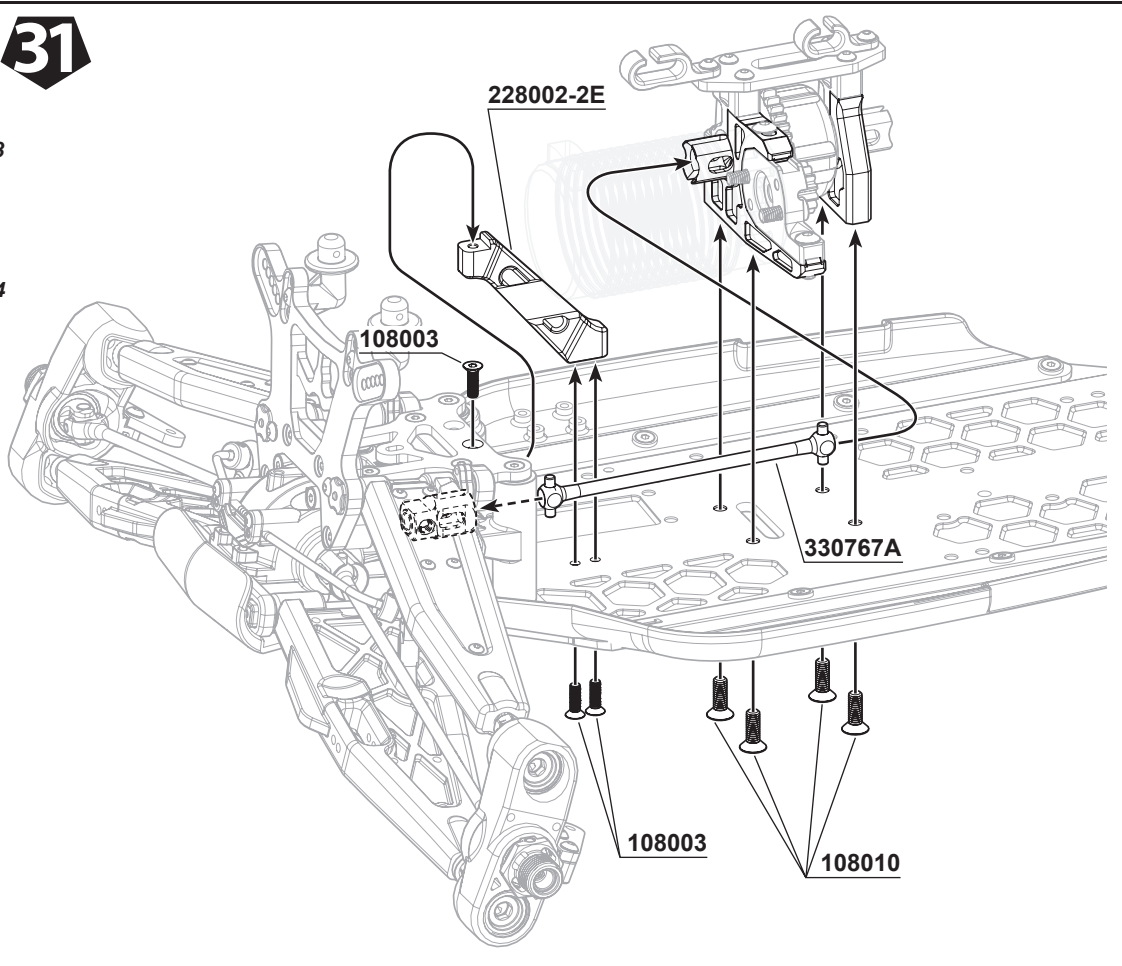




-  **106002**  
M3x10mm Hex Socket OH/TP Screw x2
-  **106006**  
M3x20mm Hex Socket OH/TP Screw x2
-  **106008**  
M3x12mm Hex Socket OH/TP Screw x2
-  **106010**  
M3x6mm Hex Socket OH/TP Screw x2
-  **104011**  
M4x4mm Set Screw (Flat Bottom) x1
-  **106024**  
M4x12mm Hex Socket OH/TP Screw x2
-  **105020**  
M4x10mm Cap Screw x2

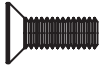


-  **108003**  
M3x10mm FH/ST HEX Screw x3
-  **108010**  
M4x10mm FH/ST HEX Screw x4





**106006**  
M3x20mm Hex Socket OH/TP Screw x2



**108011**  
M4x12mm FH/ST HEX Screw x1



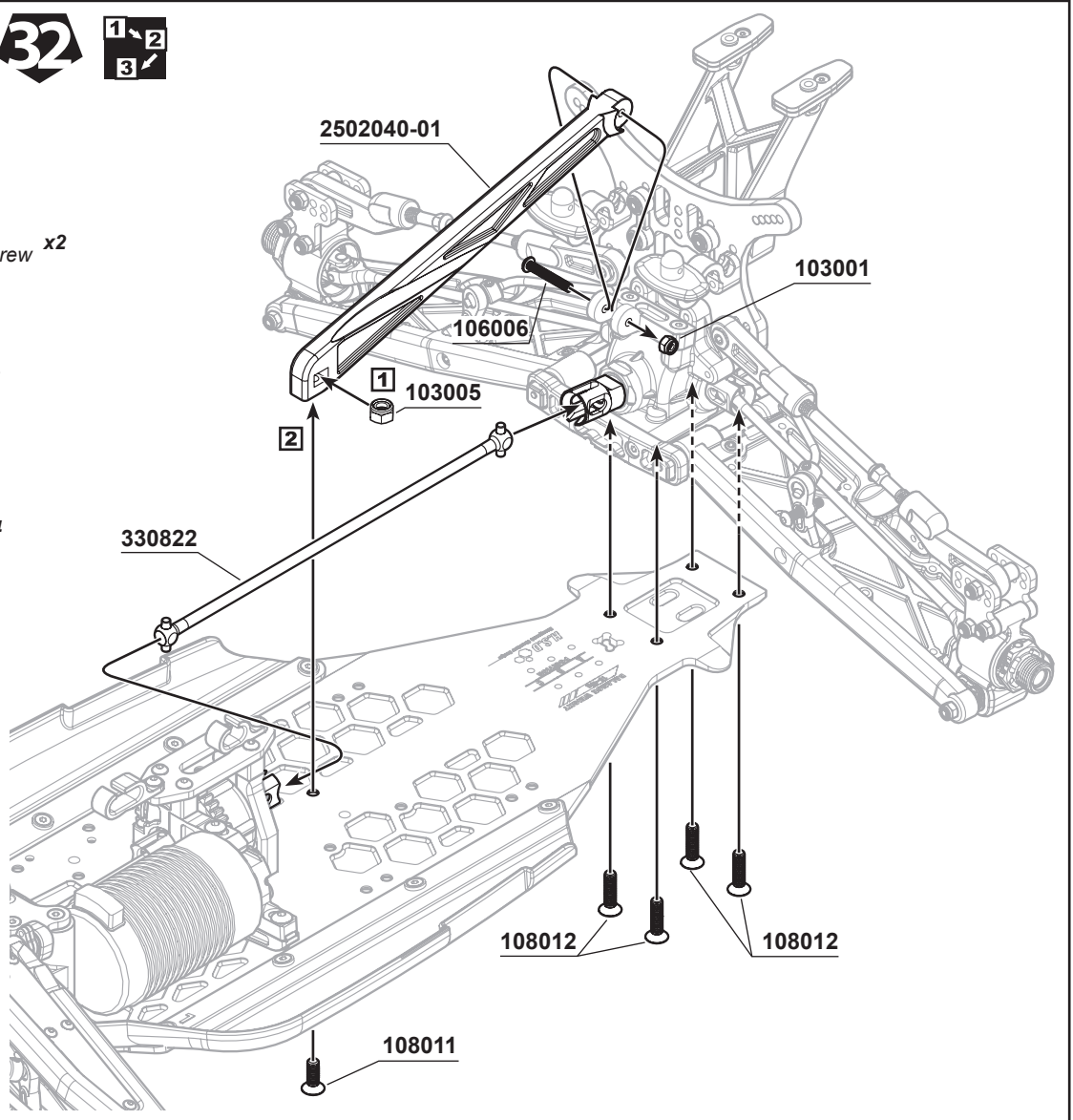
**108012**  
M4x16mm FH/ST HEX Screw x4



**103001**  
M3 Nut Lock x1

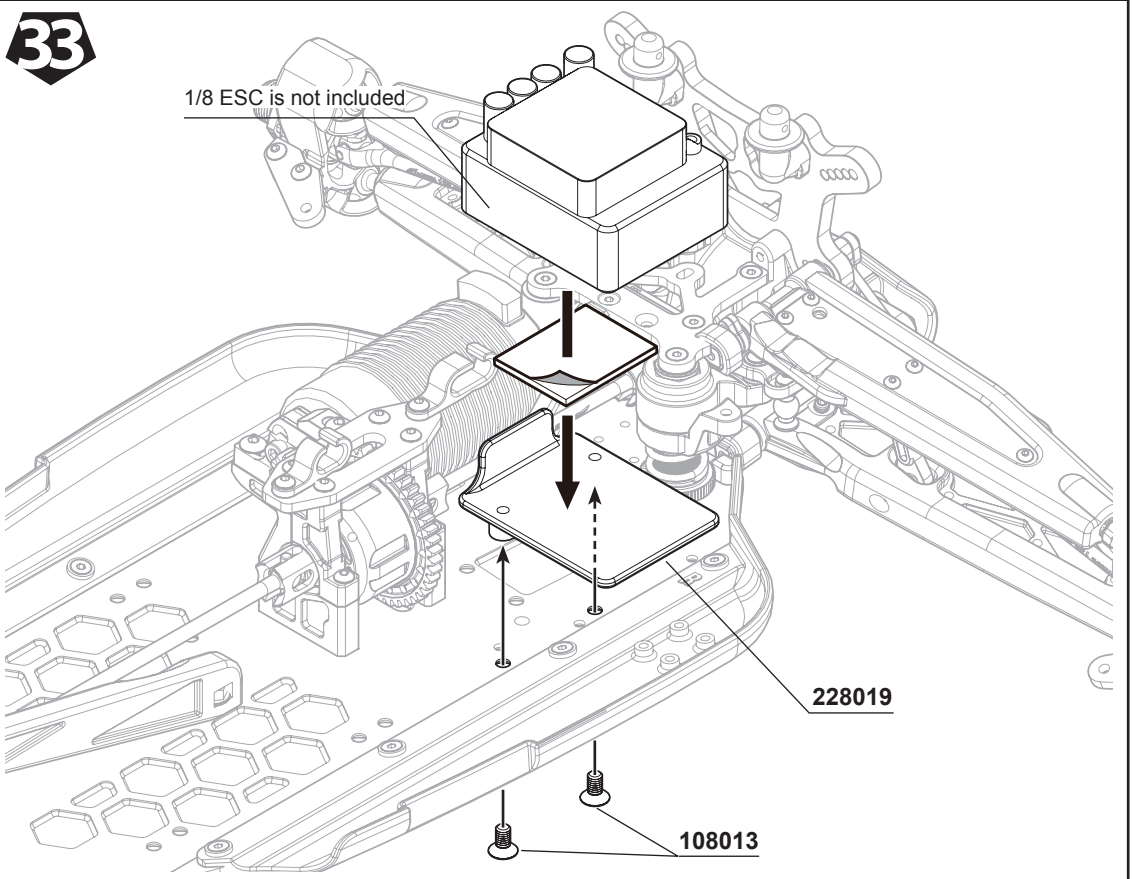


**103005**  
M4 Nut Lock x1



**108013**  
M4x8mm FH/ST HEX Screw x2

1/8 ESC is not included

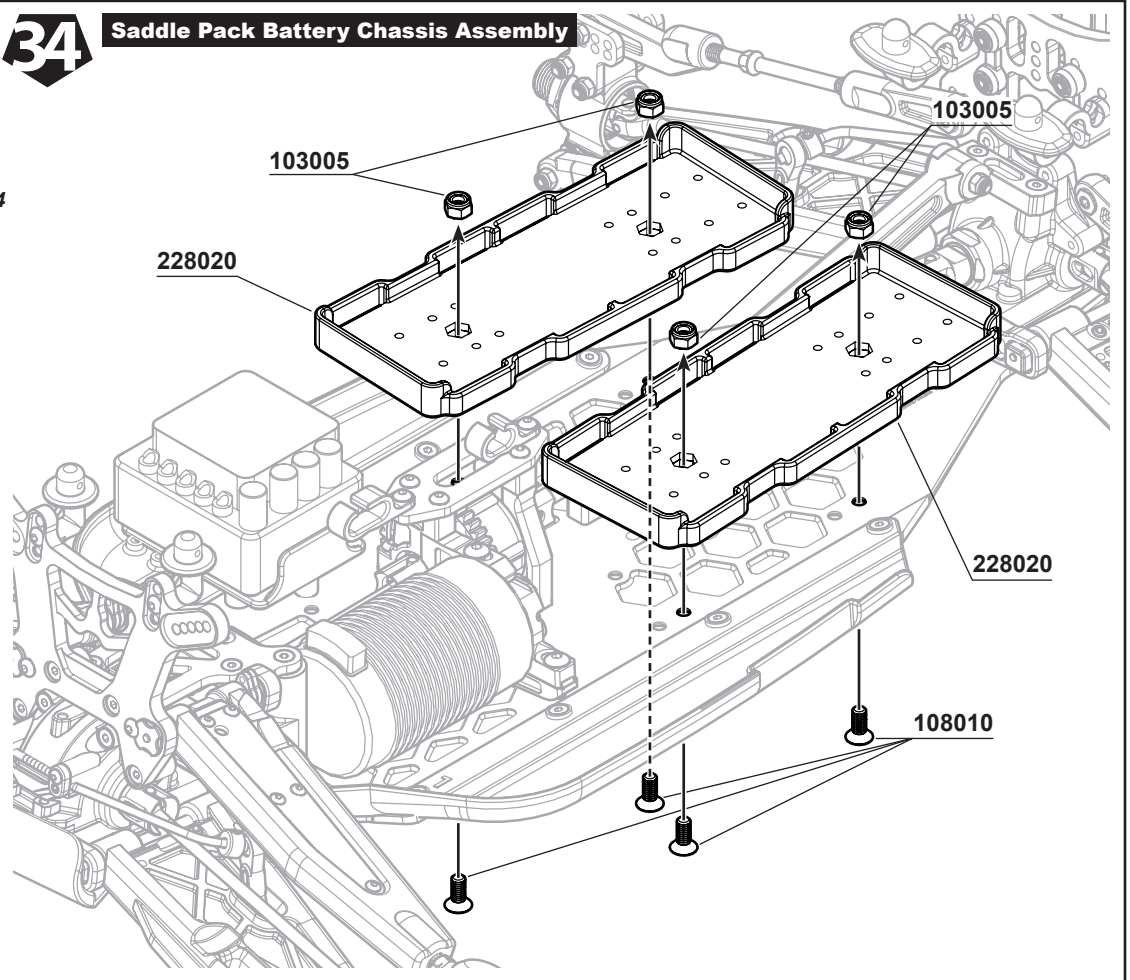




**108010**  
M4x10mm FH/ST HEX Screw x4



**103005**  
M4 Nut Lock x4



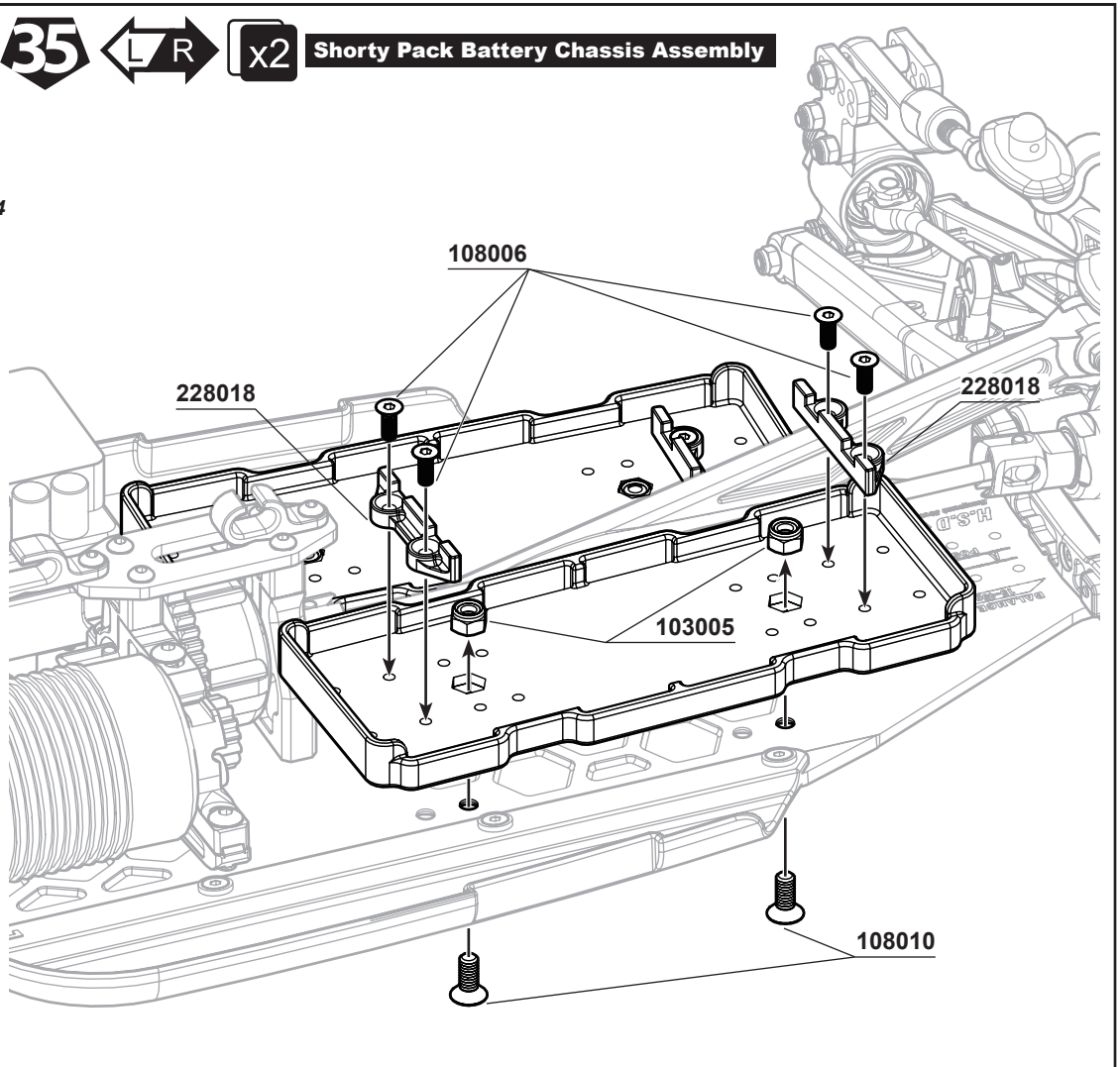
**108010**  
M4x10mm FH/ST HEX Screw x4



**108006**  
M3x8mm FH/ST HEX Screw x8



**103005**  
M4 Nut Lock x4







108006  
M3x8mm FH/ST HEX Screw x4



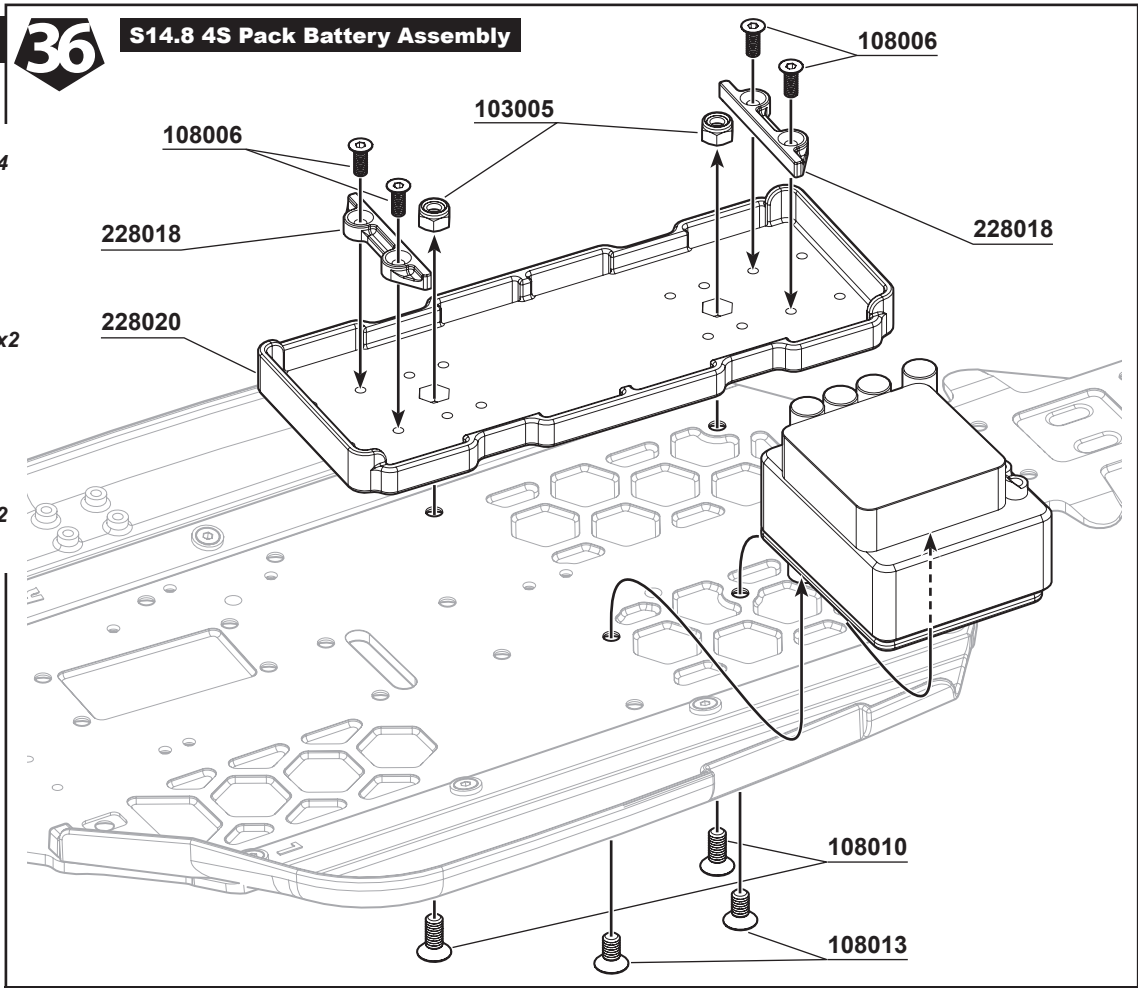
108010  
M4x10mm FH/ST HEX Screw x2



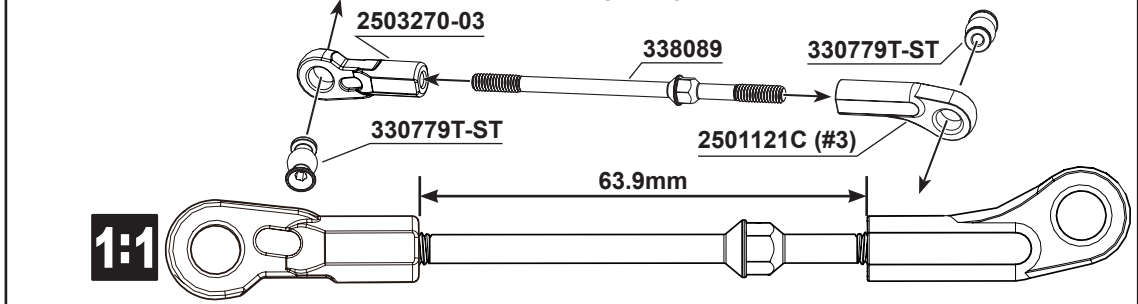
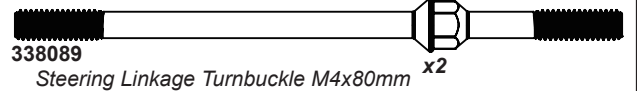
108013  
M4x8mm FH/ST HEX Screw x2



103005  
M4 Nut Lock x2



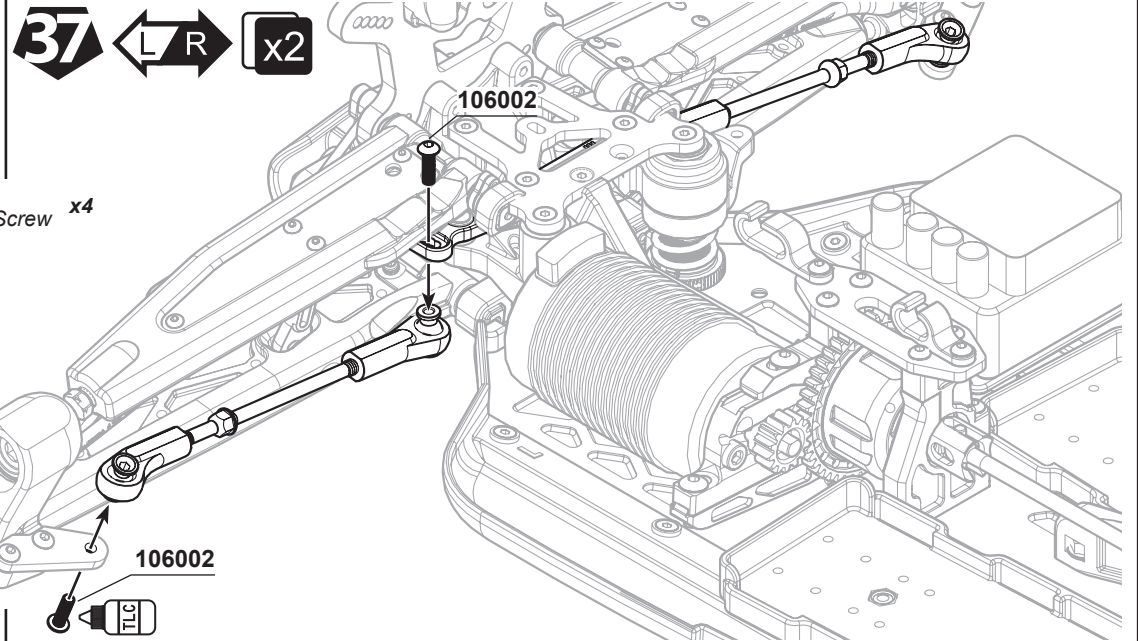
**37** ← R → **x2**



**37** ← R → **x2**



106002  
M3x10mm Hex Socket OH/TP Screw x4





**104009**  
M3x16mm Set Screw **x1**



**106008**  
M3x12mm Hex Socket OH/TP Screw **x4**



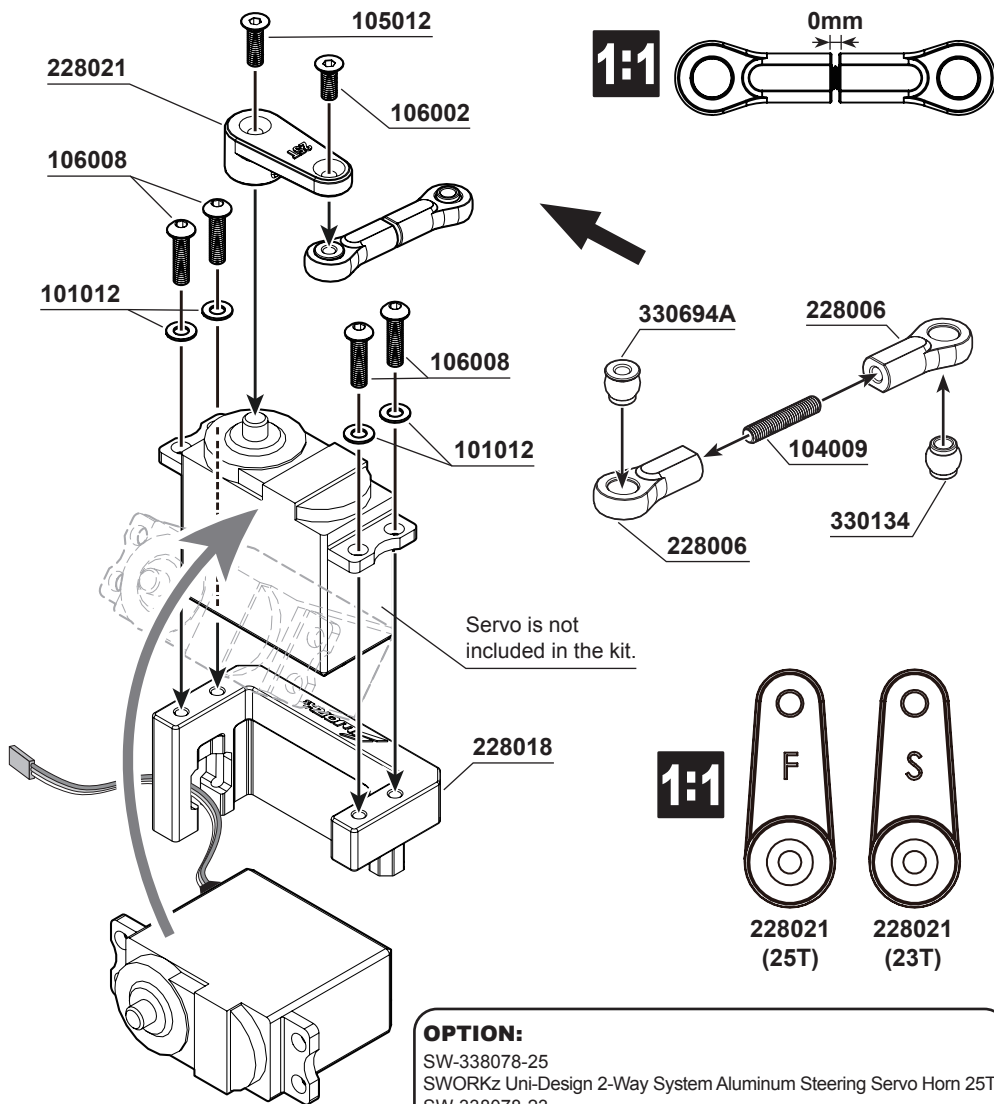
**101012**  
M3x6xT0.6mm **x4**



**105012**  
M3x10mm Cap Screw **x1**



**106002**  
M3x10mm Hex Socket OH/TP Screw **x1**



**OPTION:**  
SW-338078-25  
SWORKz Uni-Design 2-Way System Aluminum Steering Servo Horn 25T  
SW-338078-23  
SWORKz Uni-Design 2-Way System Aluminum Steering Servo Horn 23T



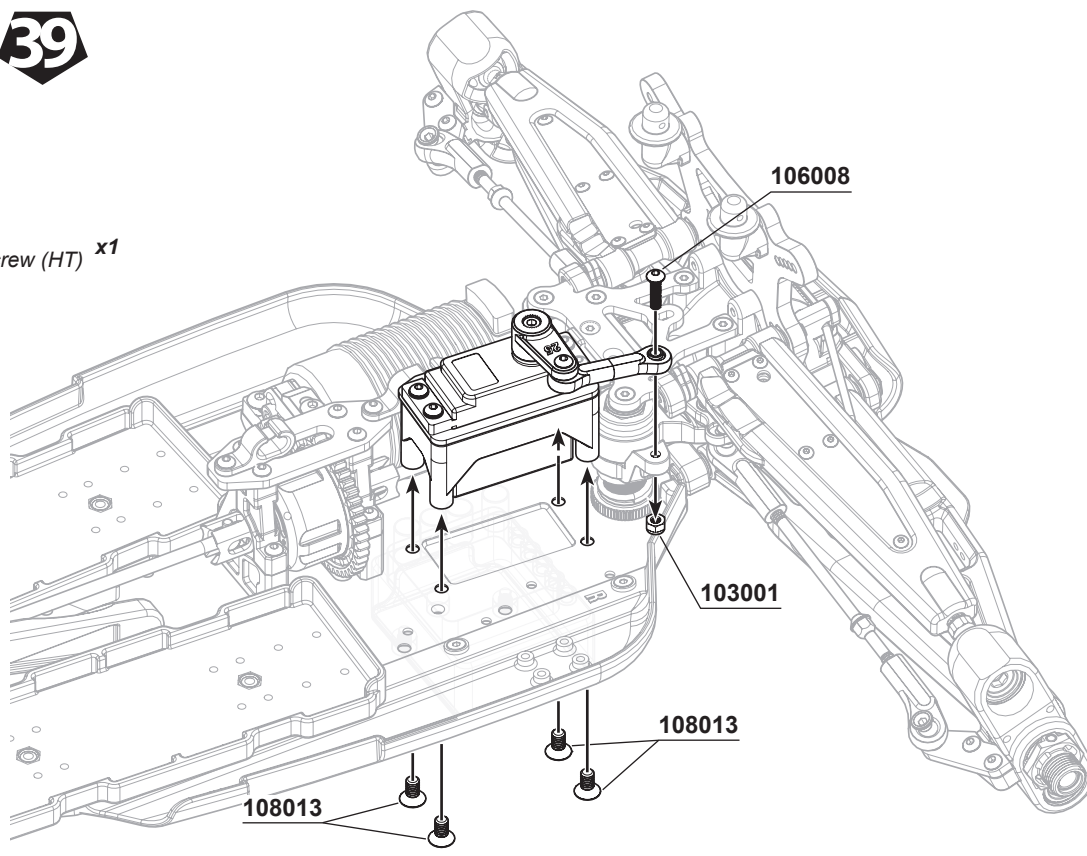
**106007**  
M3x12mm Hex Socket OH/TP Screw (HT) **x1**

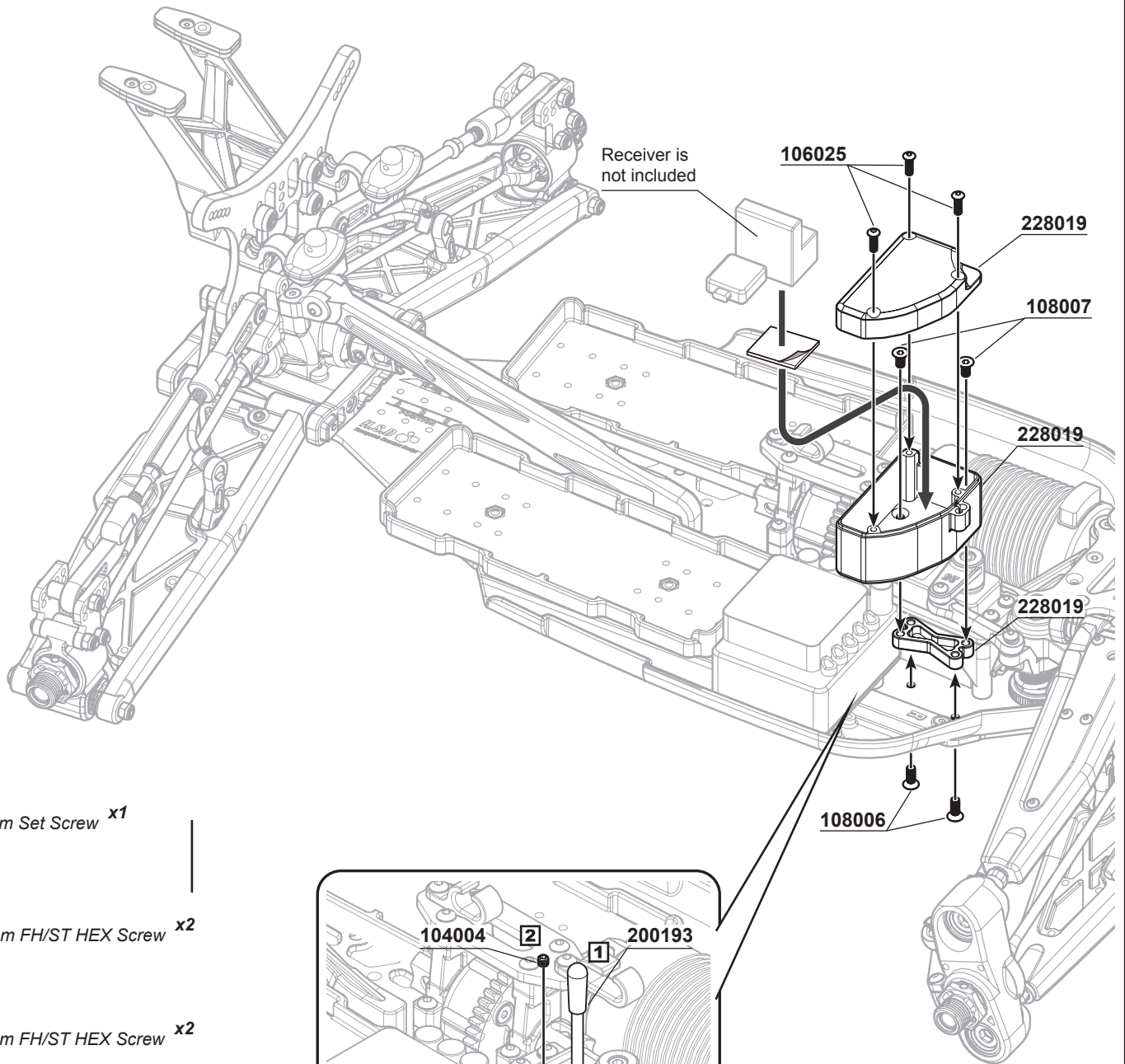


**108013**  
M4x8mm FH/ST HEX Screw **x4**



**103001**  
M3xNut Lock **x1**





**104004**  
M3x3mm Set Screw *x1*



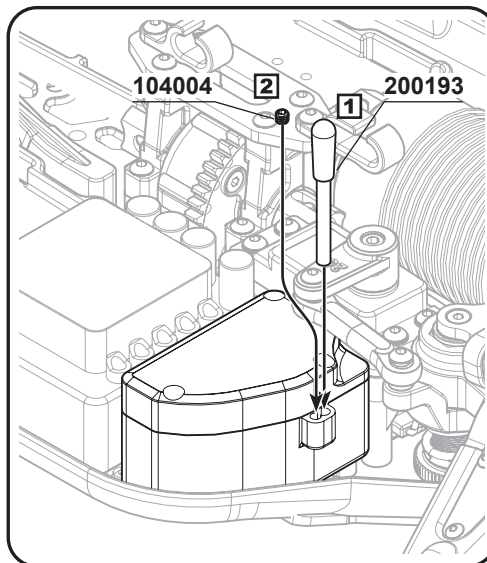
**108006**  
M3x8mm FH/ST HEX Screw *x2*

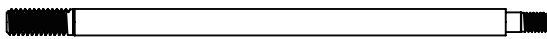


**108007**  
M3x6mm FH/ST HEX Screw *x2*

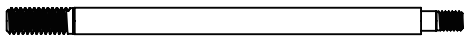


**106025**  
M2.5x8mm Hex Socket OH/TP Screw *x3*





**338062A**  
S35-4 Series BBS System Teflon Coated Durable Shock Shaft (L) x2



**338063A**  
S35-4 Series BBS System Teflon Coated Durable Shock Shaft (S) x2



**103004**  
M2.5mm Nut Lock x4



**228016-Seal**  
Shock Seal Washer 3.5X7X1.0mm x4



**228016-Seal**  
Shock Seal Washer 3.6X7X2.5mm x8



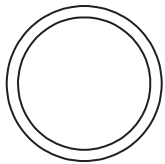
**400006**  
Shock Seal O-Ring x8



**101046**  
SWORKz Steel Washer M2.6x6xT0.6mm x4



**400020**  
Shock Seal O-Ring x4



**400019**  
Shock Spring Adjust Nut O-Ring x4



**108029**  
M2.0x4.6mm FH/ST HEX Screw (1.5mm HexHead) x4

Front 330634(S)  
Rear 330633(L)

400020

400006

228016-Seal

330557

228006A

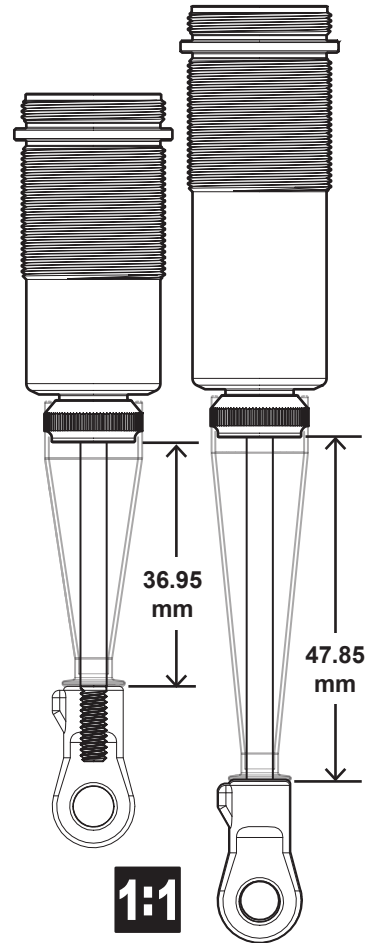
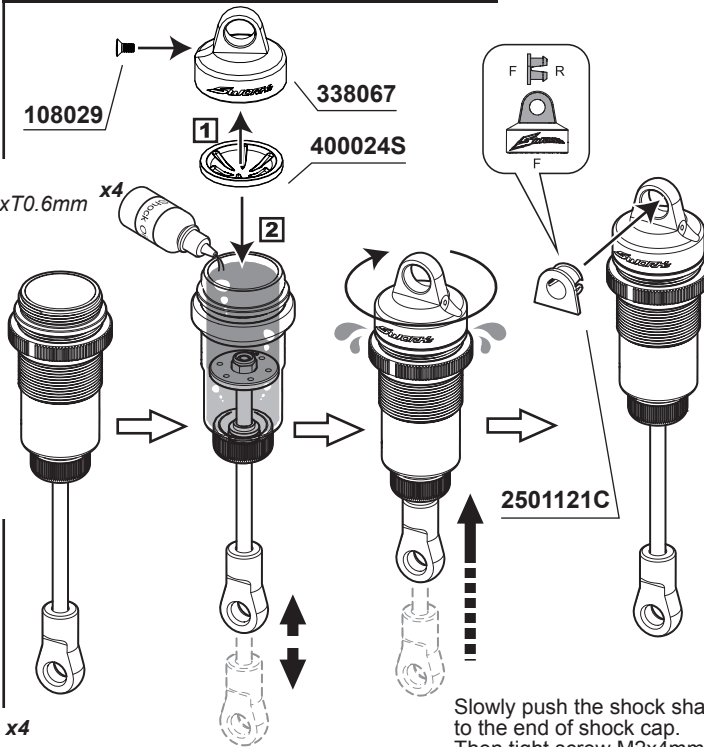
Front 400010(S)  
Rear 400009(L)

101046 103004

Front 338063A(S)  
Rear 338062A(L)

Front 228016-1.2-8  
Rear 228016-1.3-8

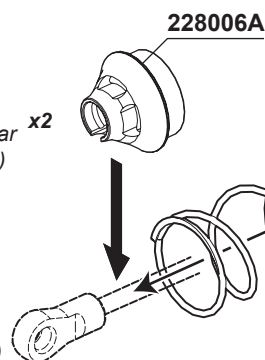
**Standard bladder shock cap assembly note**



**115170**  
S35 Series Competition Black Line Rear Shock Spring (RM3-Dot)(80X1.6X10.0) x2



**115168**  
S35-4 Black Competition Front Shock Spring (US3-Dot)(62X1.6X7.75) x2

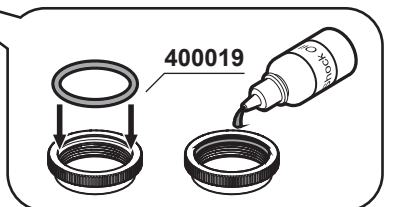


228006A

330560B

Front SWC-115168  
Rear SWC-115170

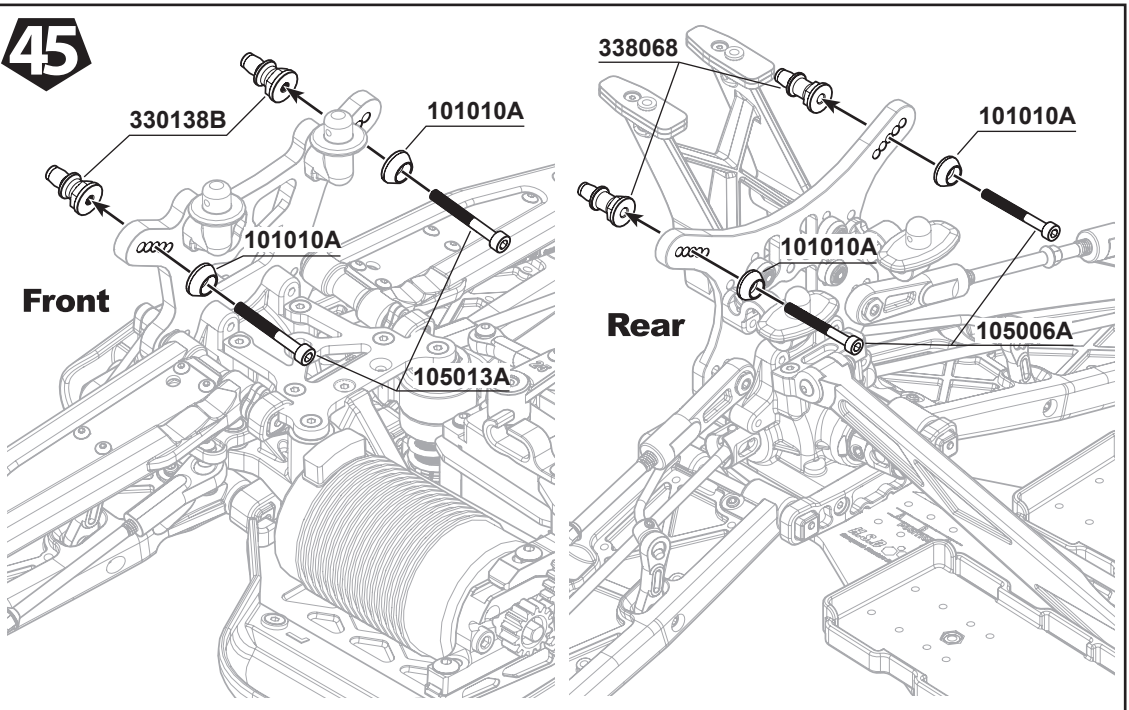
330134



**45**

**105006A**  
M3x28mm Cap Screw x2

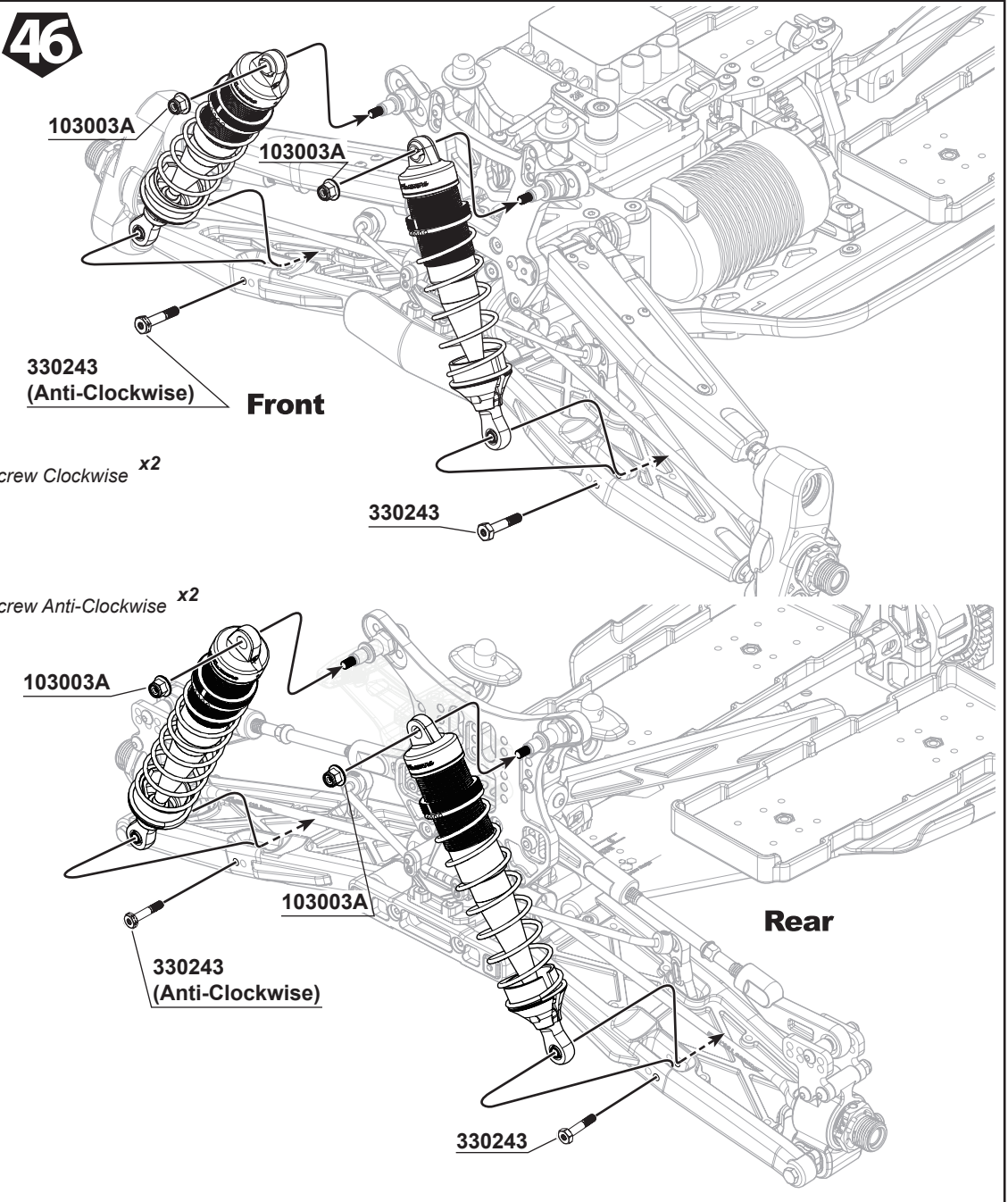
**105013A**  
M3x25mm Cap Screw x2



**103003A**  
Flange M3 Nut Lock x4

**330243**  
SWORKz 3x16mm Shock Hex Screw Clockwise x2

**330243**  
SWORKz 3x16mm Shock Hex Screw Anti-Clockwise x2

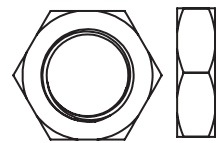
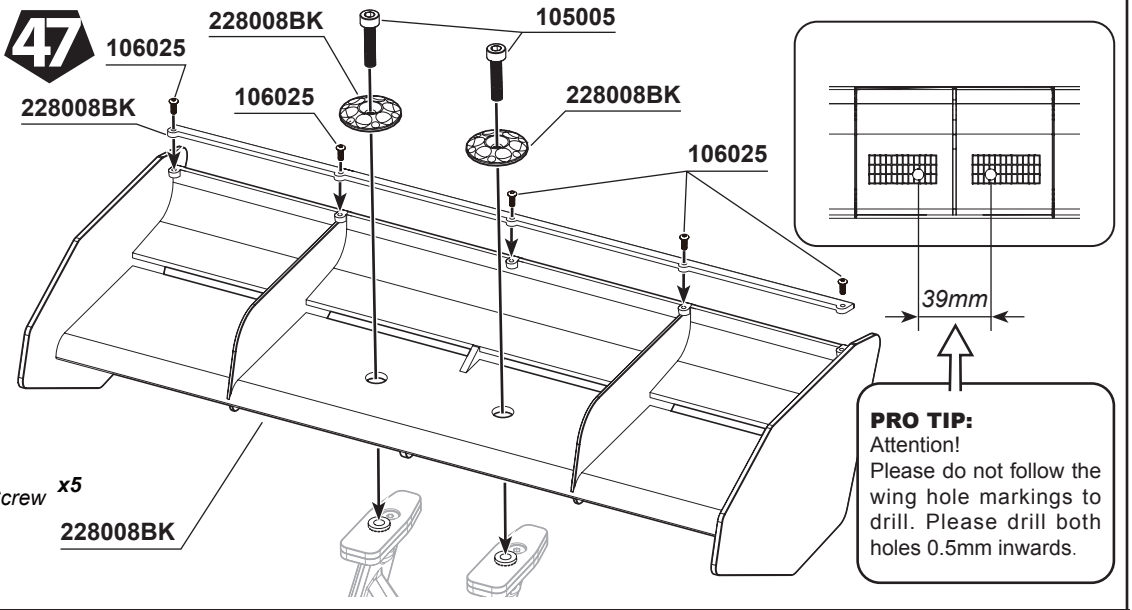


# BAG M

## 47

**105005**  
M3x12mm Cap Screw x2

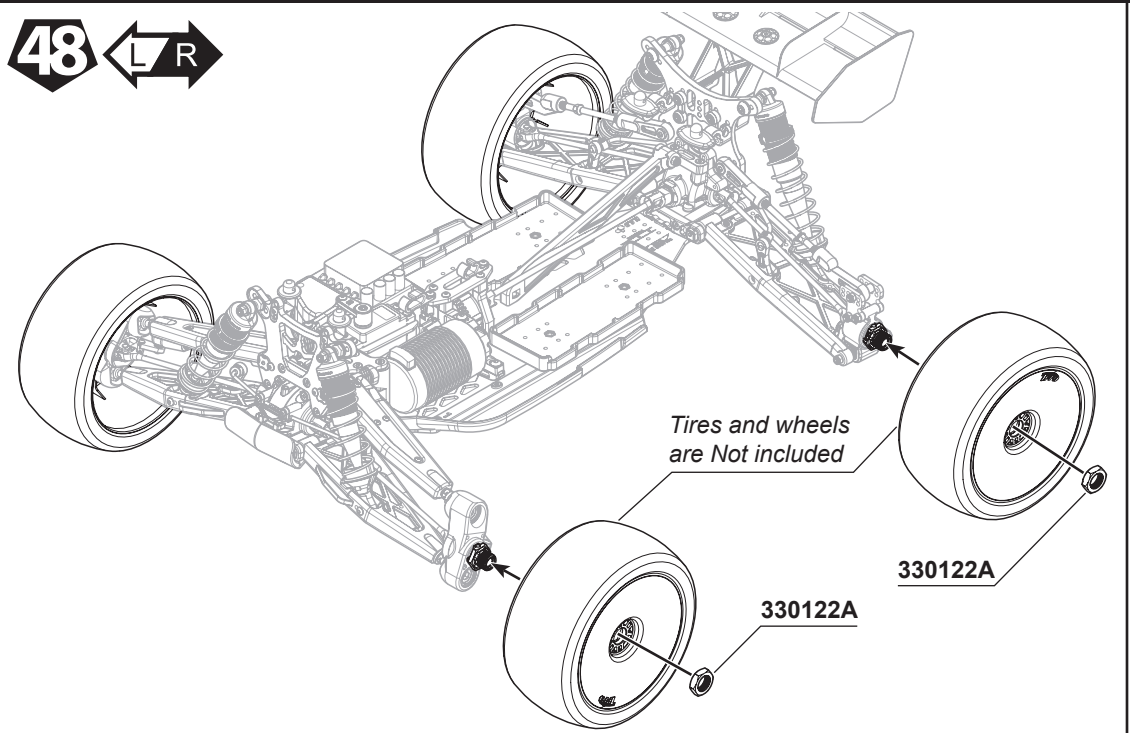
**106025**  
M2.5x8mm Hex Socket OH/TP Screw x5



**330122A**  
Wheel Nut x4

## 48

← L R →



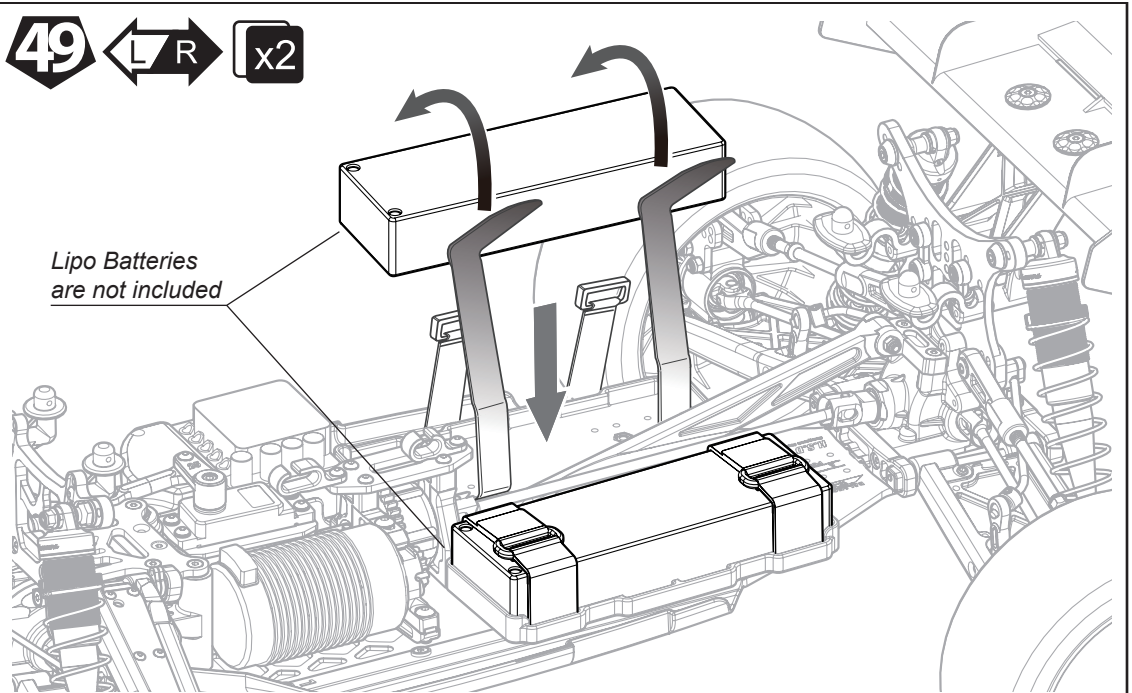
# BAG N

## 49

← L R →

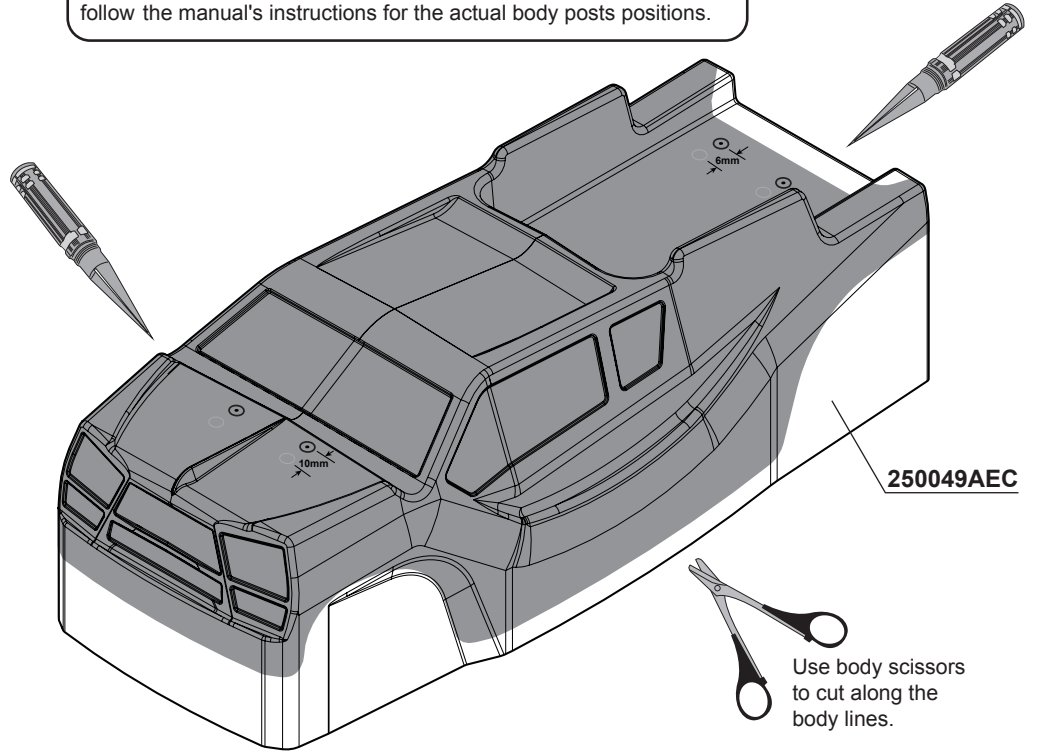
x2

Lipo Batteries are not included

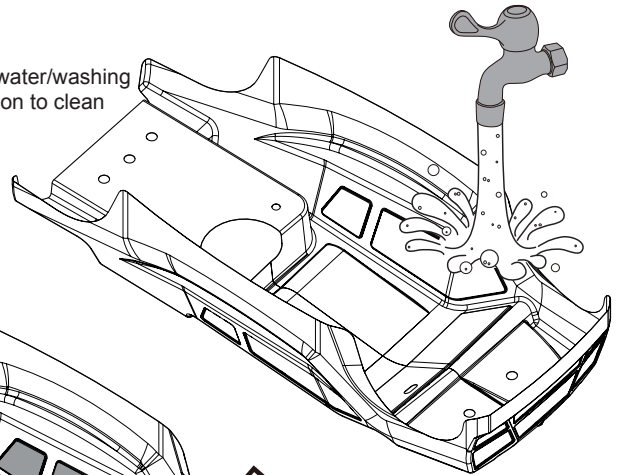


**Attention!**

The S35-T2e EVO body post positions are different as of the body shell's. Please check the "RED DOTs" marked on the body shell. Or follow the manual's instructions for the actual body posts positions.

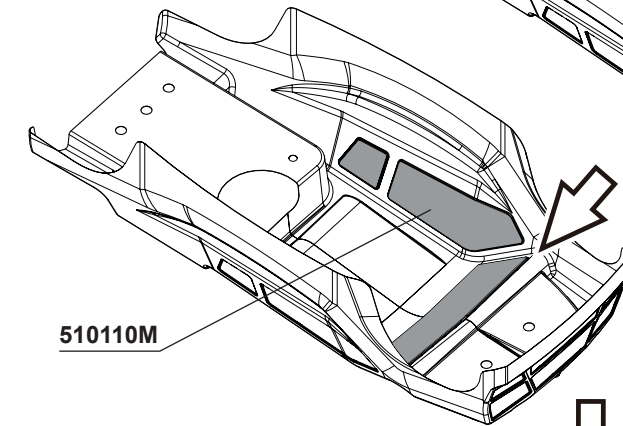


Use water/washing solution to clean body.

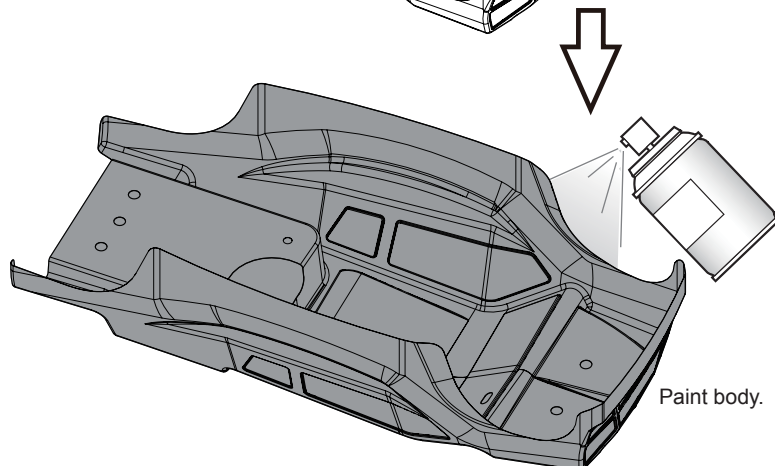


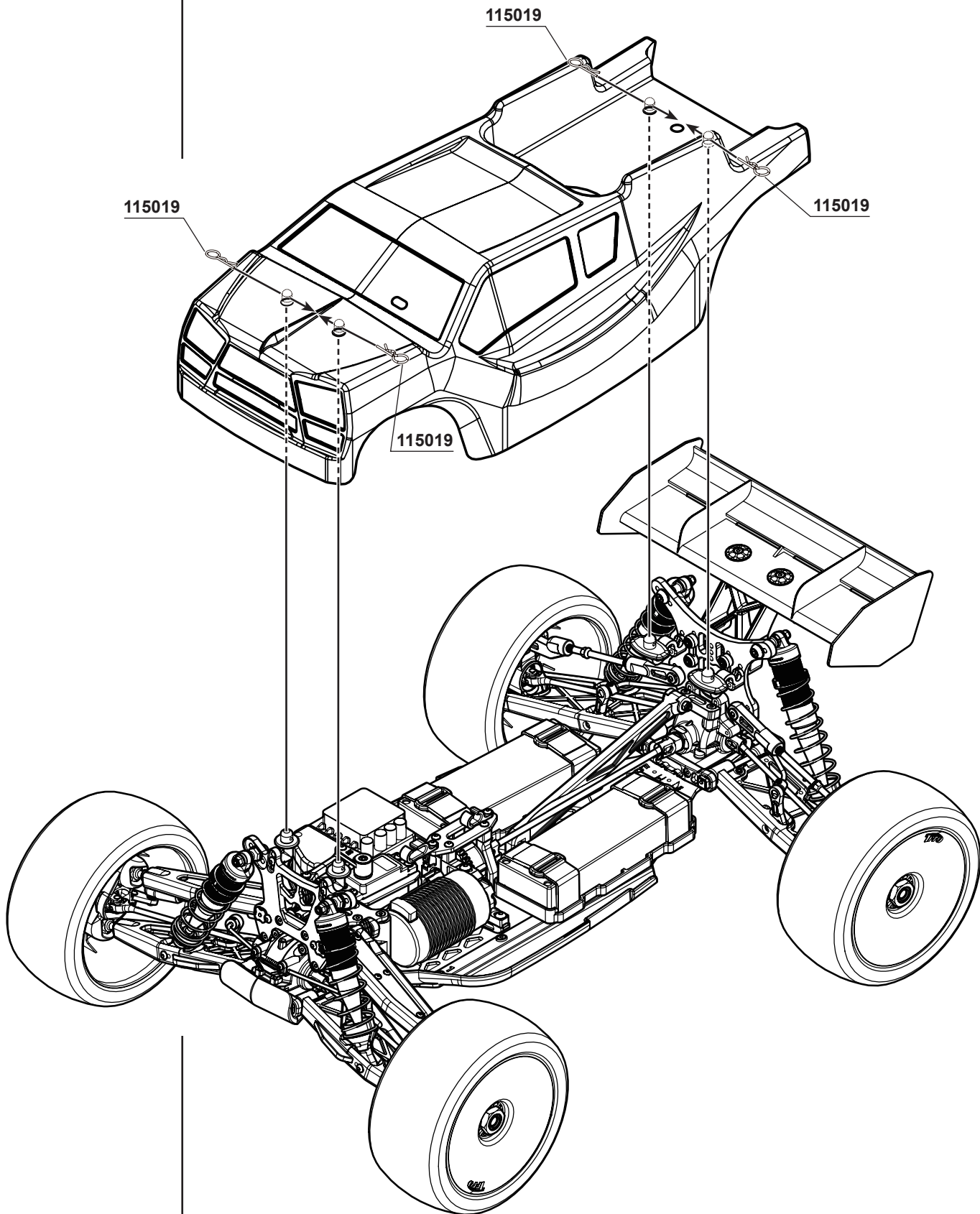
**510110M**

Apply window masks as shown.



Paint body.







Name: S35-T2e EVO  
Date: 2025  
Track: Basic Set Up

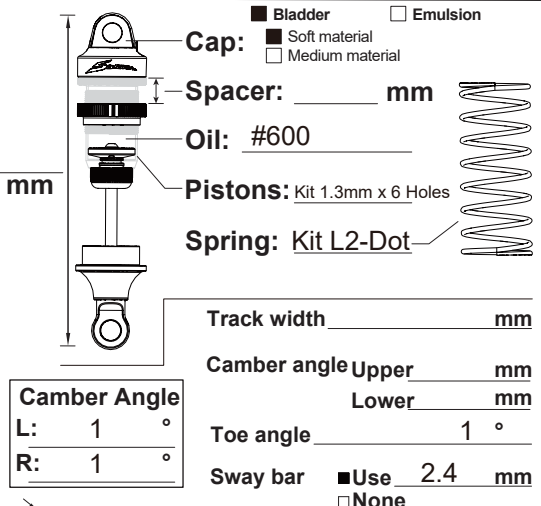
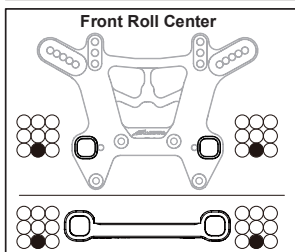
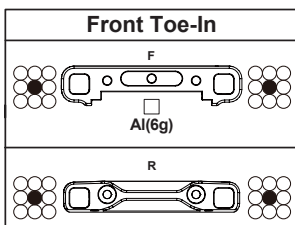
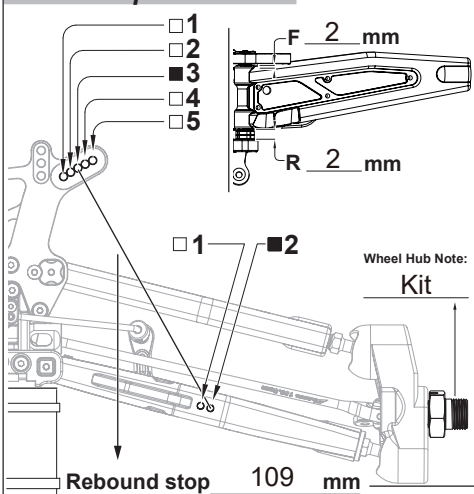
**Diff. Oil**  
Front: #10000  
Center: #10000  
Rear: #5000

**Track Conditions**  
Size:  Open  Med.  Tight  
Traction:  High  Med.  Low  
Surface:  Smooth  Med.  Bumpy

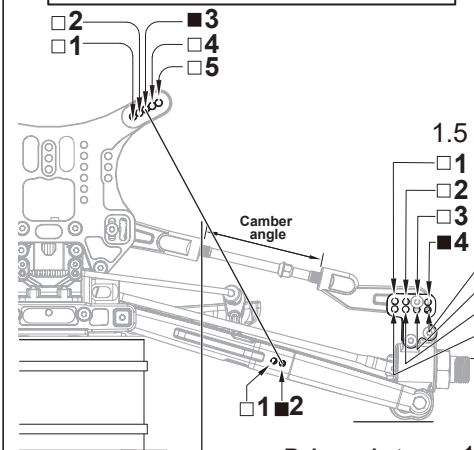
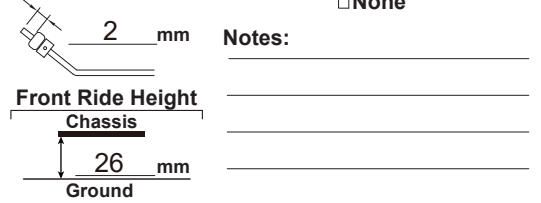
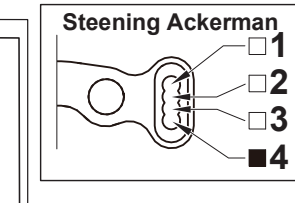
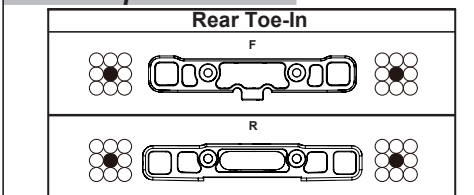
**Tire**  
Front Type: Option (Tpro) Rear Type: Option (Tpro)  
Foam: Option (Tpro) Foam: Option (Tpro)

**Electric System**  
ESC Type: Opt(HobbyWingXR8G3) Motor Gear/Spur Gear: 15/48  
Motor Type: Opt(XERUN-4268SD 1900KV) Battery Type: A: Standard Pack Option (Tpro)  
B: Shorly Pack

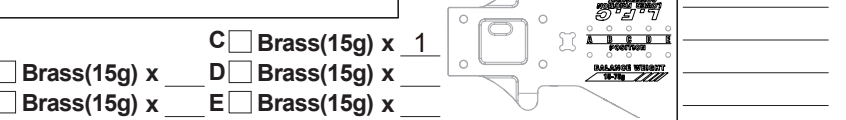
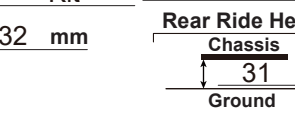
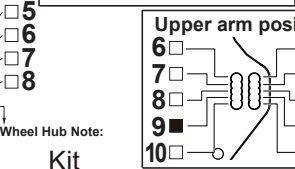
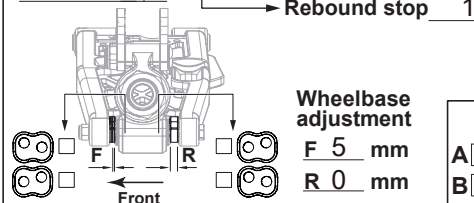
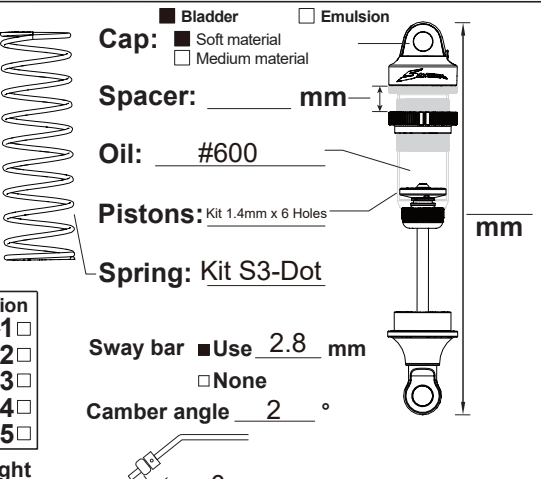
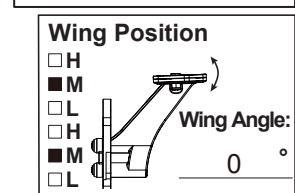
**Front Suspension**



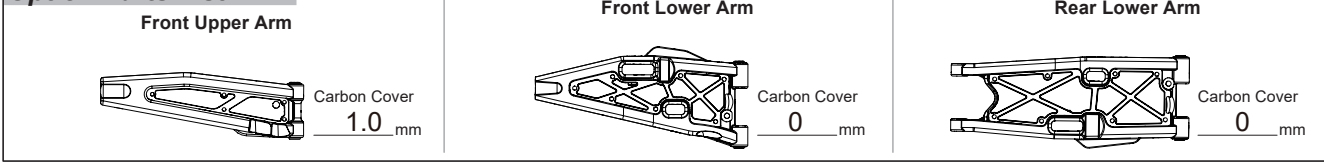
**Rear Suspension**



Body: Kit Rhinocero III  
Wing: Kit Formula 2.0



**Option Parts List**



Name: \_\_\_\_\_  
Date: \_\_\_\_\_  
Track: \_\_\_\_\_

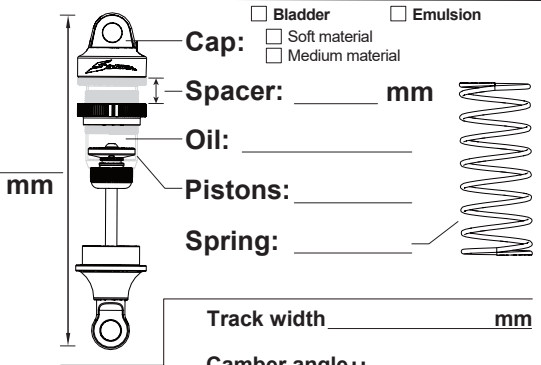
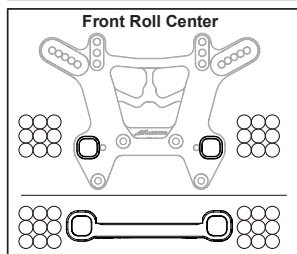
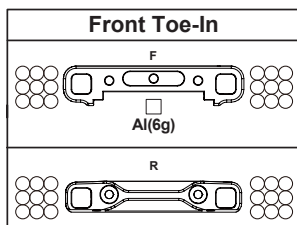
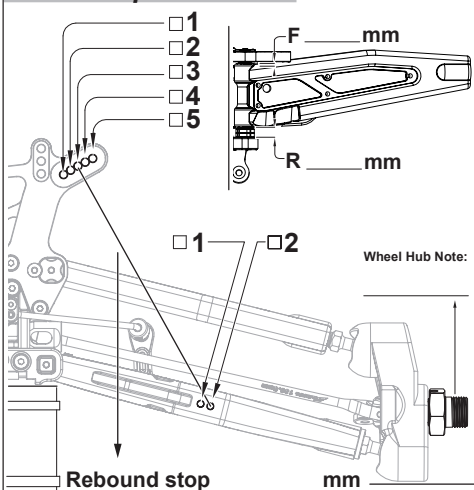
**Diff. Oil**  
Front: \_\_\_\_\_  
Center: \_\_\_\_\_  
Rear: \_\_\_\_\_

**Track Conditions**  
Size:  Open  Med.  Tight  
Traction:  High  Med.  Low  
Surface:  Smooth  Med.  Bumpy

**Tire**  
Front Type: \_\_\_\_\_ Rear Type: \_\_\_\_\_  
Foam: \_\_\_\_\_ Foam: \_\_\_\_\_

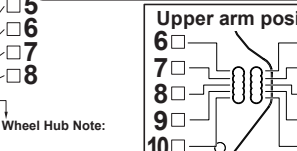
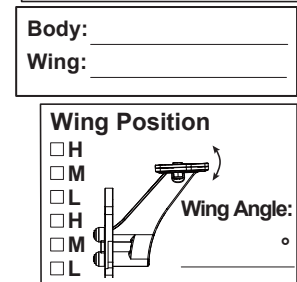
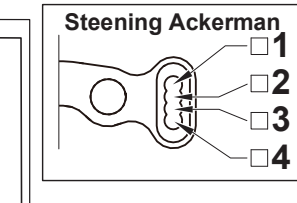
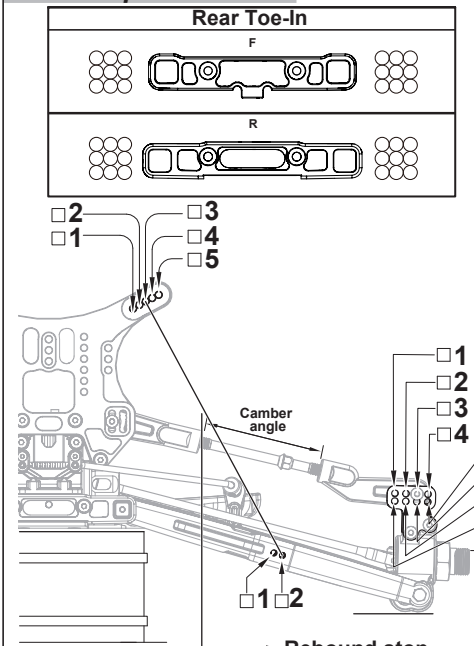
**Electric System**  
ESC Type: \_\_\_\_\_ Motor Gear/Spur Gear: \_\_\_\_\_  
Motor Type: \_\_\_\_\_ Battery Type A: Standard Pack \_\_\_\_\_  
B: Shorty Pack \_\_\_\_\_

**Front Suspension**

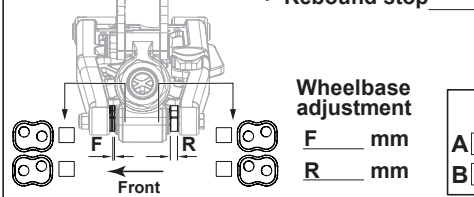
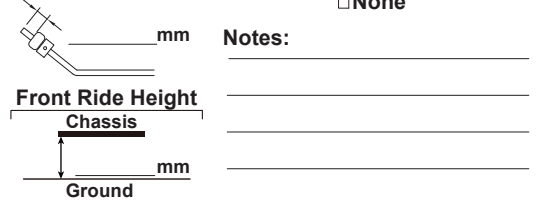


**Camber Angle**  
L: \_\_\_\_\_ °  
R: \_\_\_\_\_ °

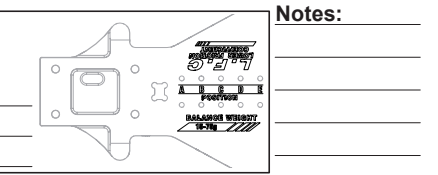
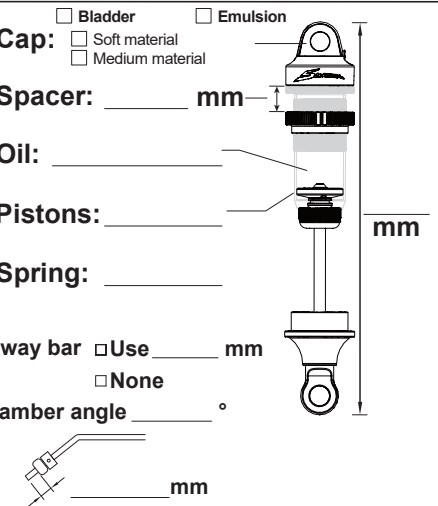
**Rear Suspension**



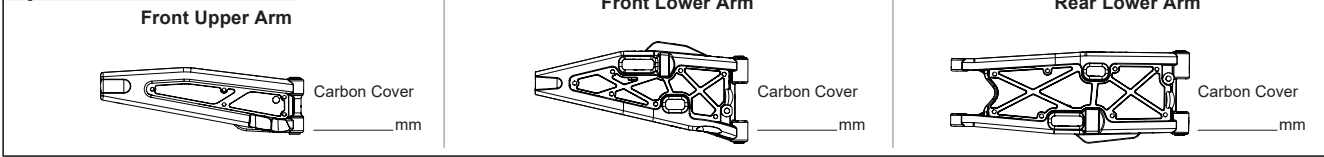
**Rear Ride Height**  
Chassis \_\_\_\_\_ mm  
Ground \_\_\_\_\_ mm



A  Brass(15g) x \_\_\_\_\_ C  Brass(15g) x \_\_\_\_\_  
B  Brass(15g) x \_\_\_\_\_ D  Brass(15g) x \_\_\_\_\_  
E  Brass(15g) x \_\_\_\_\_



**Option Parts List**



Name: \_\_\_\_\_  
Date: \_\_\_\_\_  
Track: \_\_\_\_\_

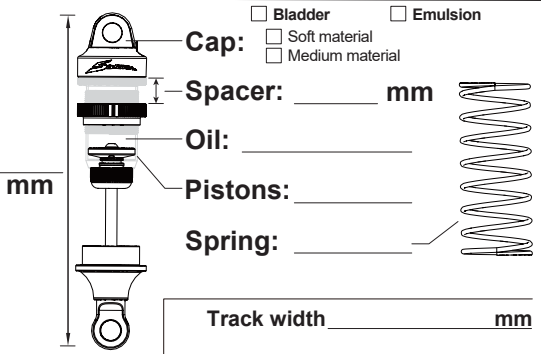
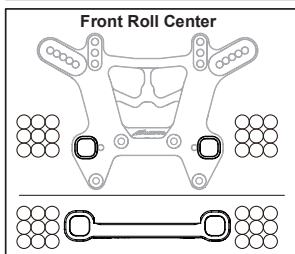
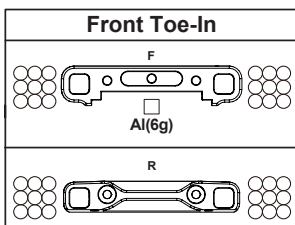
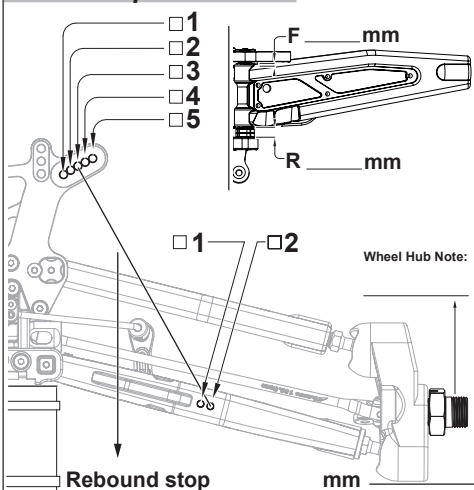
**Diff. Oil**  
Front: \_\_\_\_\_  
Center: \_\_\_\_\_  
Rear: \_\_\_\_\_

**Track Conditions**  
Size:  Open  Med.  Tight  
Traction:  High  Med.  Low  
Surface:  Smooth  Med.  Bumpy

**Tire**  
Front Type: \_\_\_\_\_  
Front Foam: \_\_\_\_\_  
Rear Type: \_\_\_\_\_  
Rear Foam: \_\_\_\_\_

**Electric System**  
ESC Type: \_\_\_\_\_  
Motor Type: \_\_\_\_\_  
Motor Gear/Spur Gear: \_\_\_\_\_  
Battery Type: A: Standard Pack \_\_\_\_\_  
B: Shorty Pack \_\_\_\_\_

**Front Suspension**



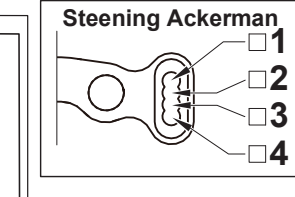
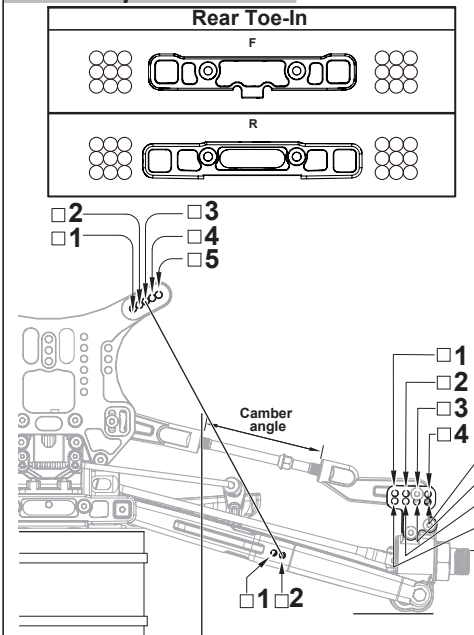
**Camber Angle**  
L: \_\_\_\_\_ °  
R: \_\_\_\_\_ °

Camber angle Upper \_\_\_\_\_ mm  
Lower \_\_\_\_\_ mm

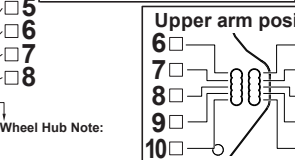
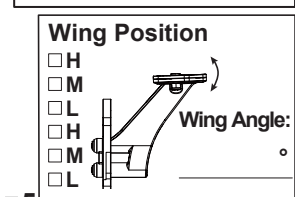
Toe angle \_\_\_\_\_ °

Sway bar  Use \_\_\_\_\_ mm  
 None

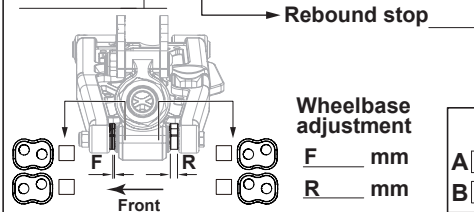
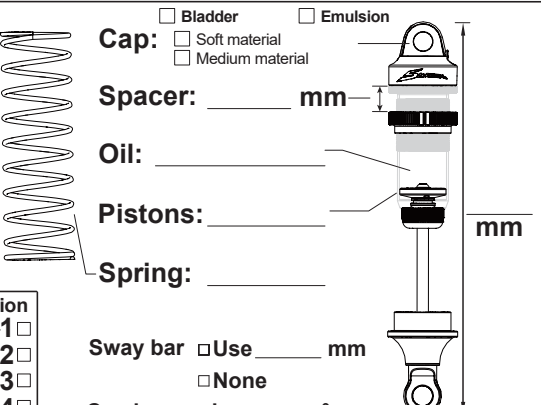
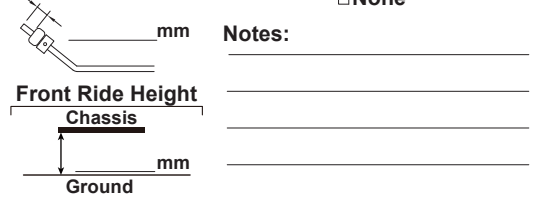
**Rear Suspension**



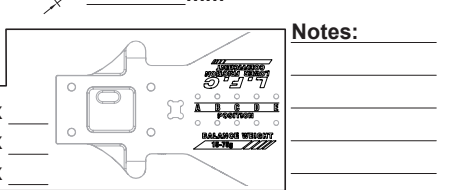
Body: \_\_\_\_\_  
Wing: \_\_\_\_\_



**Rear Ride Height**  
Chassis \_\_\_\_\_ mm  
Ground \_\_\_\_\_ mm

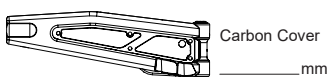


A  Brass(15g) x \_\_\_\_\_  
B  Brass(15g) x \_\_\_\_\_  
C  Brass(15g) x \_\_\_\_\_  
D  Brass(15g) x \_\_\_\_\_  
E  Brass(15g) x \_\_\_\_\_

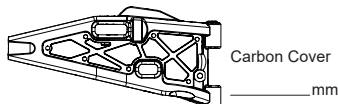


**Option Parts List**

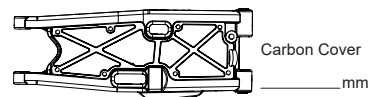
**Front Upper Arm**



**Front Lower Arm**



**Rear Lower Arm**



Name: \_\_\_\_\_  
Date: \_\_\_\_\_  
Track: \_\_\_\_\_

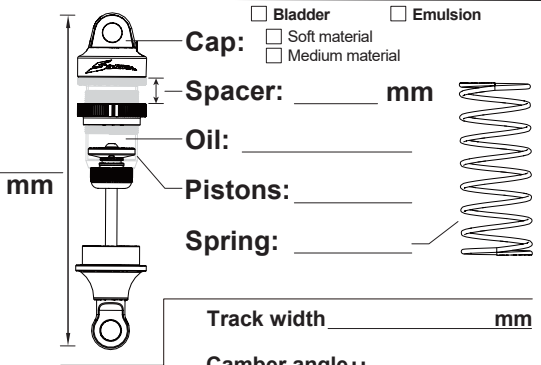
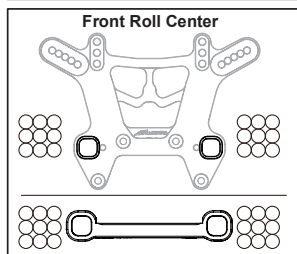
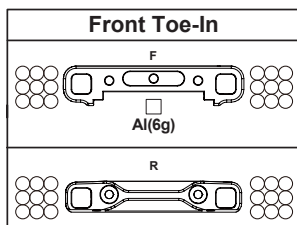
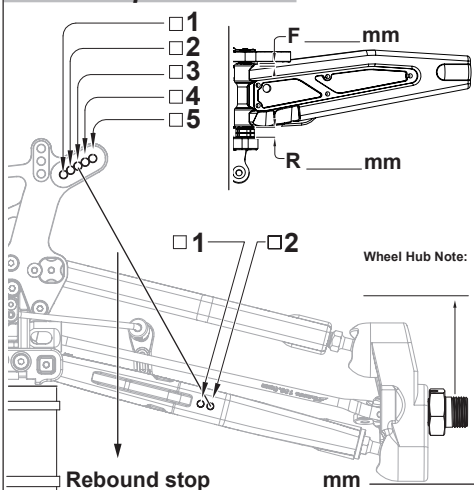
**Diff. Oil**  
Front: \_\_\_\_\_  
Center: \_\_\_\_\_  
Rear: \_\_\_\_\_

**Track Conditions**  
Size:  Open  Med.  Tight  
Traction:  High  Med.  Low  
Surface:  Smooth  Med.  Bumpy

**Tire**  
Front Type: \_\_\_\_\_  
Front Foam: \_\_\_\_\_  
Rear Type: \_\_\_\_\_  
Rear Foam: \_\_\_\_\_

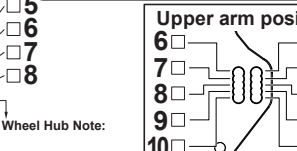
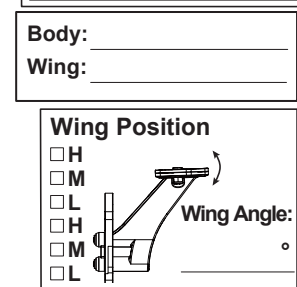
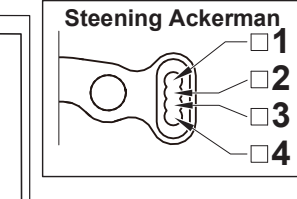
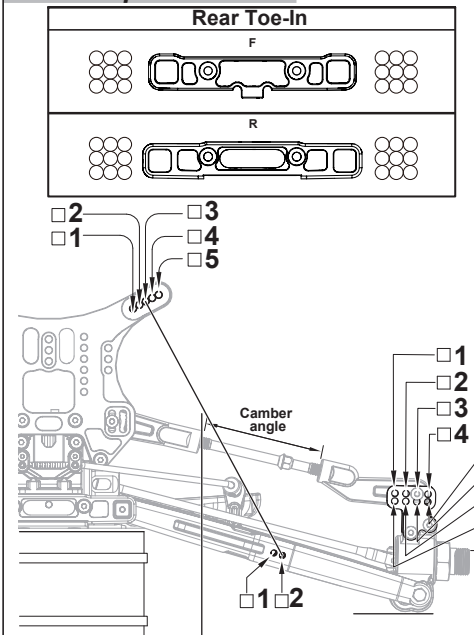
**Electric System**  
ESC Type: \_\_\_\_\_  
Motor Type: \_\_\_\_\_  
Motor Gear/Spur Gear: \_\_\_\_\_  
Battery Type A: Standard Pack \_\_\_\_\_  
Battery Type B: Shorty Pack \_\_\_\_\_

**Front Suspension**



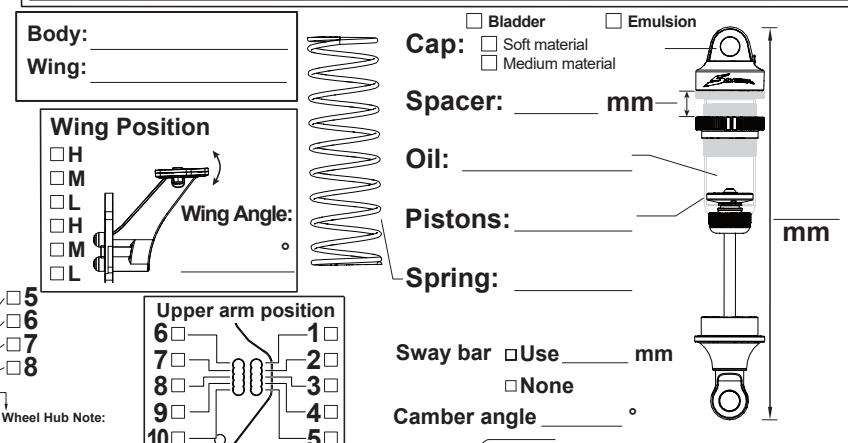
Track width \_\_\_\_\_ mm  
Camber angle Upper \_\_\_\_\_ mm  
Lower \_\_\_\_\_ mm  
Toe angle \_\_\_\_\_ °  
Sway bar  Use \_\_\_\_\_ mm  
 None

**Rear Suspension**



**Rear Ride Height**  
Chassis \_\_\_\_\_ mm  
Ground \_\_\_\_\_ mm

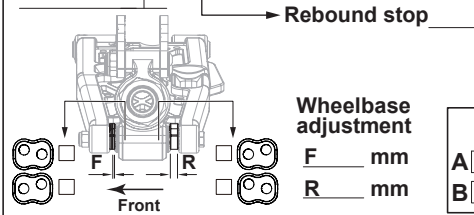
Notes: \_\_\_\_\_  
Front Ride Height  
Chassis \_\_\_\_\_ mm  
Ground \_\_\_\_\_ mm



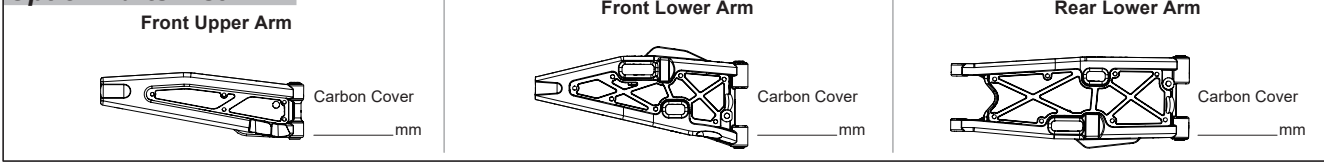
Sway bar  Use \_\_\_\_\_ mm  
 None  
Camber angle \_\_\_\_\_ °

Notes: \_\_\_\_\_

A  Brass(15g) x \_\_\_\_\_  
B  Brass(15g) x \_\_\_\_\_  
C  Brass(15g) x \_\_\_\_\_  
D  Brass(15g) x \_\_\_\_\_  
E  Brass(15g) x \_\_\_\_\_



**Option Parts List**



## Parts No. List

Part No.	Part Name	Q'ty in Use	Item No.	Part No.	Part Name	Q'ty in Use	Item No.
210091	S35-3W Plastic Front/Rear Big Bore Diff Case	2	SW-210091	340016	S35-4 Series Pro-composite Carbon Rear Wheel Hub Adjust Plate (R=L)	4	SW-340016
210079A	S35-4 Plastic Center Big Bore HET Diff Case	1	SW-210079A	340028-10	S35-T2 Pro-composite Carbon Front Upper Arm Cover (1.0mm)(2pc)	2	SW-340028-10
2501097B	S35 Series Front Bumper	1	SW-2501097B	348005	S35-4/e EVO Series Pro-composite Carbon Steering Knuckle Plate (L&R)	2	SW-348005
2501121C	S35/S350 Series Ball End Set with Shock Plastic Parts	2	SW-2501121C	348007	S35-4/e EVO Series Pro-composite Carbon Steering Bellcrank Plate	1	SW-348007
2502040-02	S350T Body Mount with Fuel Tank Ring-pull	1	SW-2502040-02	348008	S35-4e EVO Electric Series Pro-composite Carbon Center Diff. Plate	1	SW-348008
2502040-01	S350T Rear Plastic Chassis Brace	1	SW-2502040-01	348009	S35-4e EVO Electric Series Pro-composite Carbon Steering Servo Mount Plate	1	SW-348009
2503260	S353 Series Plastic Inserts Set	1	SW-2503260	400002	O-ring S5 4.8X1.5	6	SW-400002
2503261A	S35-3/GT Series Gear Box Set (Fit 5x13x4mm Ball Bearing)	2	SW-2503261A	400005	Shock Spring Adjust Nut O-Ring	4	SW-400005
2503264A	S35-3 Series Front Steering Knuckle (Type 2.0)	1	SW-2503264A	400006	shock seal O-Ring	8	SW-210058
2503270-3	S35-3 Series Front Steering Ball Ends	2	SW-2503270-3	400009	Shock Boot (L)	2	SW-400009
228001DG	S35-4 Series Plastic Inserts Set (Durable)(Gray)	2	SW-228001DG	400010	Shock Boot (S)	2	SW-400010
228002-1	S35-4 Series Plastic Rear Wheel Hub (R=L)	2	SW-228002-1	400013	S104 Shock Seal O-ring 2x2.7mm	4	SW-400013
228002-2E	S35-4e EVO Series Plastic Front Chassis Shorty Brace	1	SW-228002-2E	400019	S350 New BBS System Shock Spring Adjust Nut O-Ring	4	SW-400019
228003A	S35 Series Integrated Wing Mount Set 2.0	1	SW-228003A	400020	S350 New BBS System Shock Seal O-Ring	4	SW-400020
228004A	S35-4 Series Plastic Side Guard Set with Stopper	1	SW-228004A	400023	S35 Series BBS System Seal O-Ring for Emulsion Shock Cap	4	SW-400023
228006A	SWORKz S35 Series Shock End(H)/Body Mount/Ball Ends Set	2	SW-228006A	400024S	S35 Series BBS System Hex-Cell Shock Bladder(Soft)	4	SW-400024S
228007-2	S35-4E Buggy Series Plastic Center Diff. Mount	2	SW-228007-2	420010	Antenna Cup	1	SW-420010
228008BK	SWORKz 1/8 Off Road Formula 2.0 Race Wing (BK)	1	SW-228008BK	510080A	SWORKz 1/8 Off Road Formula Race Wing Decal	1	SW-228008BK
228010-F	S35-T2 Series Front Lower Arm	2	SW-228010-F	510091	SWORKz Original Logo Sticker	1	SW-510091
228010-R	S35-T2 Series Rear Lower Arm	2	SW-228010-R	610019	S35-3 Series Servo Saver Spring Dusty Protect Sponge	1	SW-610019
228016-1.2-8	SWORKz 1/8 BBS Precision Plastic Shock Piston(1.2X8Holes)	2	SW-228016-1.2-8	610020B	SWORKz S35 Series HET Center Big Bore Diff. Pro Gasket	1	SW-610020B
228016-1.3-8	SWORKz 1/8 BBS Precision Plastic Shock Piston(1.3X8Holes)	2	SW-228016-1.3-8	610023B	SWORKz S35 Series HET F/R Big Bore Diff. Pro Gasket	2	SW-610023B
228016-Seal	SWORKz 1/8 BBS Precision Plastic Shock Seal Part (2 Sets)	2	SW-228016-Seal	115019	Body Clip	4	SW-115019
228011	S35-T2 Series Front Upper Arm	2	SW-228011	115168	S35 Series Black Competition Rear Shock Spring (L2-Dot)(86X1.6X10.75)	2	SWC-115168
228017	S35-4/e EVO Series Lay-Down Type Steering Bellcrank Set	1	SW-228017	115170	S35 Series Black Competition Front Shock Spring (S3-Dot)(70X1.6X8.5)	2	SWC-115170
228018	S35-4e EVO Electric Series Steering Servo Mount & Rear Upper Deak Holder	1	SW-228018	116004R	Ball Bearing 6x10x3mm (Red Rubber Case)	4	SW-116004R
228019	S35-4e EVO Electric Series Receiver Box & Accessories	1	SW-228019	116006R	Ball Bearing 8x16x5mm (Red Rubber Case)	14	SW-116006R
228020	S35-4e EVO Electric Series Battery Case	2	SW-228020	116019R	Ball Bearing 5x13x4mm (Red Rubber Case)	4	SW-116019R
228021	SWORKz 1/8 Steering and Throttle Servo Horn Set	1	SW-228021	117003	Flange Ball Bearing 3x6x2.5mm	4	SW-117003
200193	Antenna Tube	1	SW-200193	118001-24	S35-T2/T2e Front Sway Bar 2.4mm	1	SW-118001-24
250049AEC	S35-T2e Speed Rhino III Pre-Cut EP Body Shell (Clean/1.5mm)	1	SW-250049AEC	118001-26	S35-T2/T2e Front Sway Bar 2.6mm	1	SW-118001-26
328001	S35-3W Diff. Bevel Gear 20T	6	SW-328001	118002-26	S35-T2/T2e Rear Sway Bar 2.6mm	1	SW-118002-26
328001	S35-3W Diff. Bevel Gear 10T	12	SW-328001	118002-28	S35-T2/T2e Rear Sway Bar 2.8mm	1	SW-118002-28
330015	Pin M2.2x9.9mm	6	SW-330015	118003H	S35-4 EVO series Servo Saver Spring(Hard)	1	SW-118003H
330117A	S350 Series Knuckle Pivot Ball Washer(GM)	2	SW-330117A	101004	Washer 3.5X10X0.2mm	12	SW-101004
330118A	S350 Series Knuckle Pivot Ball Nut(GM)	4	SW-330118A	101010A	M3 Countersunk Washer(GM)	4	SW-101010A
330119	Front Upper Arm HingPin	2	SW-330119	101012	M3x6xT0.6mm	6	SW-101012
330122A	S350 Wheel Nut (HC)	4	SW-330122A	101018	SHIM 13x16x0.2mm	12	SW-101018
330124	Pin M3.0x16.8mm	4	SW-330124	101019	SHIM 6.0x10.0x0.2mm	1	SW-101019
330125	Rear Upper Sus. Arm Ball Stud	2	SW-330125	101020A	S350 Sries 3mm Countersunk Washers (GM)	2	SW-101020A
330134	Shock Ball Stud	9	SW-330134	101026	SWORKz Aluminum Washer 3X6X1.5mm(GM)	1	SW-101026
330136	Sway Bar Ball Stud	4	SW-330136	101027	S350 BBD Steel Washer 5X14X0.5mm	3	SW-101027
330138B	S350 EVO Aluminum Shock Cap Stud (-1.3mm)	2	SW-330138B	101039	Steel Washer 5x12x0.3mm	6	SW-101039
330243	SWORKz 3x16mm Shock Hex Screw Clockwise	2	SW-330243	101046	SWORKz Steel Washer M2.6x6xT0.6mm	4	SW-101046
330243	SWORKz 3x16mm Shock Hex Screw Anti-Clockwise	2	SW-330243	103001	M3 Nut Lock	18	SW-103001
330245	BE1 Motor Gear 15T	1	SW-330245	103003A	Flange M3 Nut Lock (GM)	4	SW-103003A
330458	S350T Rear Upper Arm Turnbuckle M5x72mm	2	SW-330458	103004	M2.5mm Nut Lock	8	SW-103004
330557	S350 New BBS System Shock Seal Cap (GM)	4	SW-330557	103005	M4mm Nut Lock (BK)	4	SW-103005
330560B	S35 New BBS System Shock Spring Adjust Nut (BK)	4	SW-330560B	104004	M3x3mm Set Screw	4	SW-104004
330661A	S35-T/S35 Series Competition Center Drive Join (5mm set screw)	2	SW-330661A	104005	M3x4mm Set Screw	4	SW-104005
330633	S350 BBS System +5.6mm Shock Body L (HD)	2	SW-330633	104009	M3x16mm Set Screw	1	SW-104009
330634	S350 BBS System +5mm Shock Body S (HD)	2	SW-330634	104010	M5x4mm Set Screw (Flat Bottom)	6	SW-104010
330635	S350 New BBS System +5.5mm Shock Shaft (L)	2	SW-330635	104011	M4x4mm Set Screw (Flat Bottom)	1	SW-104011
330636	S350 New BBS System +1.3mm Shock Shaft (S)	2	SW-330636	105001	M3x8mm Cap Screw	1	SW-105001
330694A	S35 E Series 6mm Steel Ball Stud	1	SW-330694A	105005	M3x12mm Cap Screw	6	SW-105005
330767A	S35-3 Series Steel F-Center Dive Shaft (88mm)	1	SW-330767	105006A	M3x28mm Cap Screw full thread	2	SW-105006A
330779T-ST	S35-4/e EVO Steering Linkage Steel Ball Stud 7mm (L6 Thread Type)	4	SW-330779T-ST	105012	M3x10mm Cap Screw	2	SW-115012
330782	S35-3 Series Rear Hub Carriers Hinge Pin	2	SW-330782	105013A	M3x25mm Cap Screw	2	SW-105013A
330822	S35-T Steel Center Rear Drive Shaft 165mm	1	SW-330822	105018	M2x6mm Cap Head Screw	1	SW-105018
338011	S35 series Pinion Gear Stopper (5x7x5.1mm)	2	SW-338011	105020	M4x10mm Cap Screw	2	SW-105020
338014	S35-3WT-7075AL Rear Lower Fully Adjustable Toe-In Block(3 degree)	1	SW-338014	105021	M3x6mm Conical Head Screw	4	SW-105021
338025	S35-3W Bevel Gear Shaft	6	SW-338025	106002	M3x10mm Hex Scket OH/TP Screw	11	SW-106002
338027	S35-3W Front/Rear Diff. Outdrive	4	SW-338027	106003	M3x16mm Hex Scket OH/TP Screw	4	SW-106003
338028	S35-3W Center Diff. Outdrive	2	SW-338028	106006	M3x20mm Hex Scket OH/TP Screw	3	SW-106006
338041	S35-3/4 Series Center HET Spur Gear (48T)	1	SW-338041	106007	M3x12mm Hex Scket OH/TP Screw(HT)	3	SW-106007
338043	S35-3/4 Series Servo Saver Nut with Screw Fixed	1	SW-338043	106008	M3x12mm Hex Scket OH/TP Screw	6	SW-106008
338045	S35-T Series HET System Pinion Gear 10T	2	SW-338045	106009	M3x25mm Hex Scket OH/TP Screw	6	SW-106009
338046	S35-T Series HET System Crown Gear 46T	2	SW-338046	106010	M3x6mm Hex Scket OH/TP Screw	7	SW-106010
338048	S35-4 Series Servo Saver Shaft	2	SW-338048	106013	M2.5x8mm 1.5mmHex Scket OH/ST Screw	6	SW-106013
338056	S35-4 Series Lower Arm Hinge Pin (68.5mm)	4	SW-338056	106015	M3x5mm Hex Scket OH/TP Screw	2	SW-106015
338057A	S35-4/e EVO Series T7 Aluminum Front Upper Arm Holder	1	SW-338057A	106020	M2.5x5mm 1.5mmHex Scket OH/TP Screw	10	SW-106020
338058A	S35-4/e EVO Series 5mm T7 Aluminum Front Lower Arm Plate (FF)	1	SW-338058A	106021A	S35 Series M4x10mm Hex Scket OH/TP Set Screw	4	SW-106021A
338059	S35-4 Series T7 Aluminum Front Lower Arm Holder (FR)	1	SW-338059	106022	M2.5x14mm Scket OH/ST Screw (1.5mmHex)	4	SW-106022
338067	S35-4 Series Emulsion/Bladder 2 Ways Syatem Shock Cap	4	SW-338067	106024	M4x12mm Hex Scket OH/TP Screw	2	SW-106024
338068	S35-4 Series T7 Aluminum Shock Stud (L)	2	SW-338068	106025	M2.5x8mm Hex Scket OH/TP Screw	5	SW-228008BK
338070B	S35 Series Rear Upper Sus. Arm Ball Stud (7.0mm Hex)	2	SW-338070B	108001	M3x12mm FH/ST HEX Screw	26	SW-108001
338080	S35 Series Lightened Wheel Hub for 8mm Axil (L5.5mm)	4	SW-338080	108003	M3x10mm FH/ST HEX Screw	12	SW-108003
338085	S35-T2/E T7075 Aluminum Front Shock Tower	1	SW-338085	108005	M3x14mm FH/ST HEX Screw	4	SW-108005
338086	S35-T2/E T7075 Aluminum Rear Shock Tower	1	SW-338086	108006	M3x8mm FH/ST HEX Screw	12	SW-108006
338089	S35-T2/E Steering Linkage Turnbuckle M4x80mm	2	SW-338089	108007	M3x6mm FH/ST HEX Screw	12	SW-108007
338114	S35-4 Series T7075 Aluminum Intensity Rear Lower Suspension Plate	1	SW-3380114	108008	M3x35mm FH/ST HEX Screw	4	SW-108008
338122-R	S35/S350/Apollo Series Lightened Steering Knuckle Pivot Ball Turnbuckle (Clockwise)	2	SW-338122-R	108013	M4x8mm FH/ST HEX Screw	6	SW-108013
338122-L	S35/S350/Apollo Series Lightened Steering Knuckle Pivot Ball Turnbuckle (Anti-Clockwise)	2	SW-338122-L	108010	M4x10mm FH/ST HEX Screw	10	SW-108010
338123	S35-4/e EVO Series Servo Saver Post Lay-Down Type (Hard Coated)	1	SW-3380123	108011	M4x12mm FH/ST HEX Screw	1	SW-108011
338124P	S35-4/e EVO Series T7 Aluminum Pro Steering Plate	1	SW-3380124P	108012	M4x16mm FH/ST HEX Screw	8	SW-108012
338126	S35-4/e EVO Series T7 Aluminum Setting Bellcrank Upper Part-A	1	SW-3380126	108015	M3x16mm FH/ST HEX Screw	2	SW-108015
338127	S35-4e Electric Buggy Series Aluminum Center Diff. Mount	1	SW-3380127	108019	M2.6x6mm FH/ST HEX Screw	2	SW-108019
338128	S35-4e Electric Buggy Series T7 Aluminum Motor Mount	1	SW-3380128	108021	M3x18mm FH/ST HEX Screw	2	SW-108021
338129	S35-4e Electric Buggy Series T7 Aluminum Center Diff/Motor Unit Mount (CF)	1	SW-3380129	108029	M2.0x4.6mm FH/ST HEX Screw (1.5mm HexHead)	4	SW-108029
338130	S35-T2e EVO T7075 Aluminum Lightened Main Chassis	1	SW-3380130				

# Spare Part List

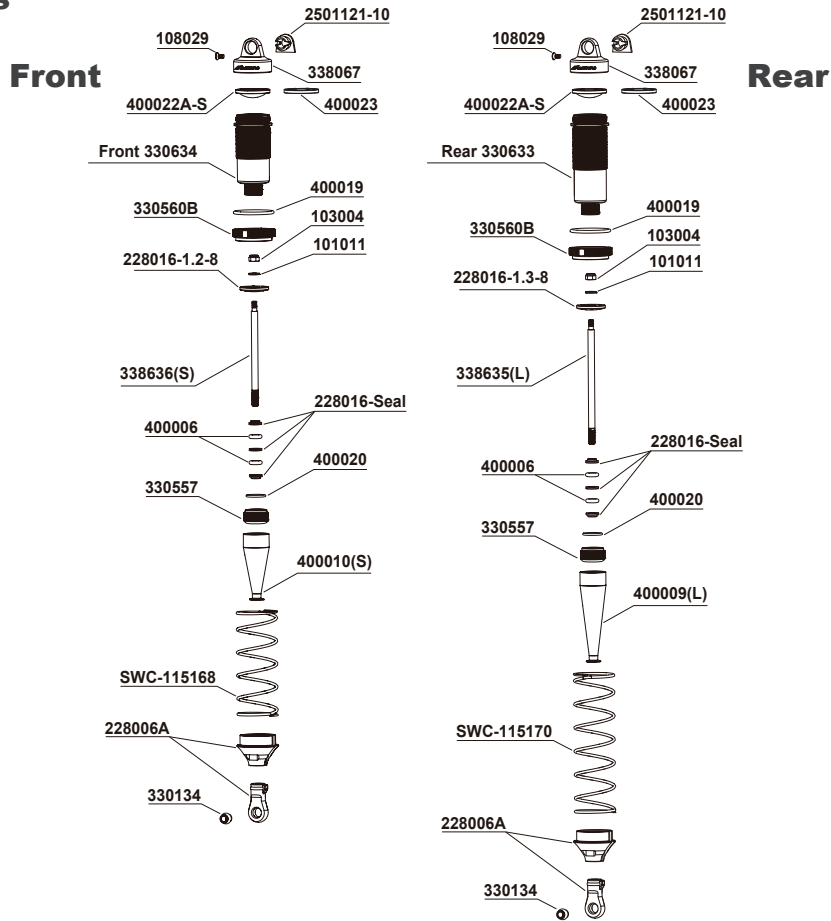
Item No.	Part Name	Item No.	Part Name
SW-2501097B	S35 Series Front Bumper (2PC)	SW-338128	S35-4e Electric Buggy Series T7 Aluminum Motor Mount
SW-2501121C	S35/S350 Series Ball End Set with Shock Plastic Parts	SW-338129	S35-4e Electric Buggy Series T7 Aluminum Center Diff/Motor Unit Mount (CF)
SW-2502040-01	S350T Rear Chassis Brace	SW-338130	S35-T2e EVO T7075 Aluminum Lightened Main Chassis
SW-2503260	S353 Series Plastic Inserts Set	SW-340016	S35-4 Series Pro-composite Carbon Rear Wheel Hub Adjust Plate (R=L)(2PC)
SW-2503261A	S35-3/GT Series Gear Box Set (Fit 5x13x4mm Ball Bearing)	SW-340028-10	S35-T2/e Pro-composite Carbon Front Upper Arm Cover (1.0mm)(2PC)
SW-2503264A	S35-3 Series Front Steering Knuckle (Type 2.0)	SW-348005	S35-4/e EVO Series Pro-composite Carbon Steering Knuckle Plate (L&R)(1PC)
SW-2503270-03	S35-3 Series Front Steering Ball Ends (4pc)	SW-348007	S35-4/e EVO Series Pro-composite Carbon Steering Bellcrank Plate(1PC)
SW-228001DG	S35-4 All Series Plastic Inserts Set (Durable)(Gray)(2 Sets)	SW-348008	S35-4e EVO Electric Series Pro-composite Carbon Center Diff. Plate(1PC)
SW-228002-1	S35-4 Series Plastic Rear Wheel Hub (R=L)(2PC)	SW-348009	S35-4e EVO Electric Series Pro-composite Carbon Steering Servo Mount Plate(1PC)
SW-228002-2E	S35-4e EVO Series Plastic Front Chassis Shorty Brace	SW-400002	O-ring S5 4.8X1.5
SW-228003A	S35 Series Integrated Wing Mount Set 2.0	SW-400005	Shock Spring Adjust Nut O-Ring
SW-228004A	S35-4 Series Plastic Side Guard Set with Stopper	SW-400009	Shock Boot (L)
SW-228006A	SWORKz S35 Series Shock End(H)/Body Mount/Ball Ends Set (2 Sets)	SW-400010	Shock Boot (S)
SW-228007-2	S35-4E Buggy Series Plastic Center Diff. Mount (2PC)	SW-400013	SWORKz Shock Seal O-ring 2x2.7mm (8PC)
SW-228008BK	SWORKz 1/8 Off Road Formula 2.0 Race Wing (BK)	SW-400019	S350 New BBS System Shock Spring Adjust Nut O-Ring (4pc)
SW-228010-F	S35-T2 Series Front Lower Arm (1PC)	SW-400020	S350 New BBS System Shock Seal O-Ring (4pc)
SW-228010-R	S35-T2 Series Rear Lower Arm (1PC)	SW-400023	S35-4 Series BBS System Seal O-Ring for Emulsion Shock Cap(4PC)
SW-228011	S35-T2 Series Front Upper Arm (1PC)	SW-400024S	S35 Series BBS System Hex-Cell Shock Bladder(Soft)(4PC)
SW-228016-1.2-8	SWORKz 1/8 BBS Precision Plastic Shock Piston(1.2X8Holes)(2PC)	SW-420010	Antenna Cup
SW-228016-1.3-8	SWORKz 1/8 BBS Precision Plastic Shock Piston(1.3X8Holes)(2PC)	SW-510091	SWORKz Original Logo Sticker (2PC)
SW-228016-DIY	SWORKz 1/8 BBS Precision Plastic Shock Piston(DIY)(4PC)	SW-610019	S35-3 Series Servo Saver Spring Dusty Protect Sponge (2pc)
SW-228017	S35-4/e EVO Series Lay-Down Type Steering Bellcrank Set	SW-610020B	SWORKz S35 Series HET Center Big Bore Diff. Pro Gasket (3PC)
SW-228018	S35-4e EVO Electric Series Steering Servo Mount & Rear Upper Deak Holder Set	SW-610023B	SWORKz S35 Series HET F/R Big Bore Diff. Pro Gasket (3PC)
SW-228019	S35-4e EVO Electric Series Receiver Box & Accessories Set	SW-115019	Body Clip
SW-228020	S35-4e EVO Electric Series Battery Case (1PC)	SWC-115168	S35 Series Black Competition Rear Shock Spring (L2-Dot)(86X1.6X10.75)
SW-228021	SWORKz 1/8 Steering and Throttle Servo Horn Set	SWC-115170	S35 Series Black Competition Front Shock Spring (S3-Dot)(70X1.6X8.5)
SW-200193	Antenna Tube	SW-116004R	Ball Bearing 6x10x3mm (Red Rubber Case)(4PC)
SW-210079A	S35-4 Plastic Center Big Bore HET Diff Case	SW-116006R	Ball Bearing 8x16x5mm (Red Rubber Case)(10PC)
SW-210091	S35-3W Plastic Front/Rear Big Bore Diff Case	SW-116019R	Ball Bearing 5x13x4mm (Red Rubber Case)(4PC)
SW-218018	S35-T2/e Series Universal Cross Drive Shaft Set 136.5mm (1PC)	SW-117003	Flange Ball Bearing 3x6x2.5mm(2pc)
SW-250049AEC	S35-T2e Speed Rhino III Pre-Cut EP Body Shell (Clean/1.5mm)	SW-118001-24	S35-T2/T2e Front Sway Bar 2.4mm
SW-328001	S35-3/4 Series HET Diff. Bevel Gear Set	SW-118001-26	S35-T2/T2e Front Sway Bar 2.6mm
SW-330015	Pin M2.2x9.9mm	SW-118002-26	S35-T2/T2e Rear Sway Bar 2.6mm
SW-330117A	S350 Series Knuckle Pivot Ball Washer(GM)	SW-118002-28	S35-T2/T2e Rear Sway Bar 2.8mm
SW-330118A	S350 Series Knuckle Pivot Ball Nut(GM)	SW-118003H	S35-4 EVO series Servo Saver Spring(Hard)
SW-330119	Front Upper Arm HingPin	SW-101004	Washer 3.5X10X0.2mm
SW-330122A	S350 Wheel Nut (HC)	SW-101010A	M3 Countersunk Washer(GM)
SW-330124	Pin M3.0x16.8mm	SW-101012	M3x6xT0.6mm
SW-330125	Rear Upper Sus. Arm Ball Stud	SW-101018	SHIM 13x16x0.2mm
SW-330134	Shock Ball Stud 6mmxL6.7	SW-101019	SHIM 6.0x10.0x0.2mm
SW-330136	Sway Bar Ball Stud	SW-101020A	S350 Sries 3mm Countersunk Washers (GM)
SW-330138B	S350 Series Aluminum Shock Cap Stud (-1.3mm)(2PC)	SW-101021	M3x8xT0.8mm
SW-330243	SWORKz 3x18mm Shock Hex Screw Set (Anti-Clockwise)	SWC-101027	S35 BBD Steel Washer 5X14X0.5mm
SW-330245	SWORKz 1/8 Motor Pinion Gear 15T	SW-101039	Steel Washer 5x12x0.3mm
SW-330458	S350T Rear Upper Arm Turnbuckle M5x72mm	SW-101046	SWORKz Steel Washer M2.6x6xT0.6mm (10PC)
SW-330557	S350 New BBS System Shock Seal Cap (GM)	SW-103001	M3 Nut Lock
SW-330560B	S35 New BBS System Shock Spring Adjust Nut (BK)	SW-103003A	Flange M3 Nut Lock (GM)
SW-330562A	S35 Series BBS System Shock Piston 1.3mmX6 Holes (BK)(2PC)	SW-103004	M2.5mm Nut Lock
SW-330563A	S35 Series BBS System Shock Piston 1.4mmX6 Holes (BK)(2PC)	SW-103005	M4mm Nut Lock (BK)(10PC)
SW-330633	S350 BBS System +5.6mm Shock Body L	SW-104004	M3x3mm Set Screw
SW-330634	S350 BBS System +5mm Shock Body S	SW-104005	M3x4mm Set Screw
SW-330635	S350 New BBS System +5.5mm Shock Shaft ( L)	SW-104009	M3x16mm Set Screw
SW-330636	S350 New BBS System +1.3mm Shock Shaft ( S)	SW-104010	M5x4mm Set Screw (Flat Bottom)
SW-330661A	S35-T3/S35 Series Competition Center Drive Join (5mm set screw)	SW-104011	M4x4mm Set Screw (Flat Bottom)
SW-330694A	S35 E Series 6mm Steel Ball Stud	SW-105001	M3x8mm Cap Screw
SW-330767A	S35-3 Series Steel F-Center Dive Shaft (88mm)	SW-105005	M3x12mm Cap Screw
SW-330779T-ST	S35-4/e EVO Steering Linkage Steel Ball Stud 7mm (L6 Thread Type)	SW-105006A	M3x28mm Cap Screw full thread
SW-330782	S35-3 Series Rear Hub Carriers Hinge Pin	SW-105012	M3x10mm Cap Screw(10pc)
SW-330822	S35-T Steel Center Rear Drive Shaft 165mm	SW-105013A	M3x25mm Cap Screw
SW-338011	S35-3 series Pinion Gear Stopper (5x7x5.1mm)(4PC)	SW-105018	M2x6mm Cap Head Screw (10PC)
SW-338014	S35-3W T-7075AL Rear Lower Fully Adjustable Toe-In Block(3 degree)	SW-105020	M4x10mm Cap Screw (8PC)
SW-338025	S35-4 HET Bevel Gear Shaft (2pc)	SW-105021	M3x6mm Conical Head Screw (10PC)
SW-338027	S35-4 Front/Rear HET Diff. Outdrive (2pc)	SW-106001	M3x8mm Hex Soket OH/TP Screw
SW-338028	S35-4 Center HET Diff. Outdrive (2pc)	SW-106002	M3x10mm Hex Soket OH/TP Screw
SW-338041	S35-3/4 Series Center HET Spur Gear (48T)	SW-106003	M3x16mm Hex Soket OH/TP Screw
SW-338043	S35-3/4 Series Servo Saver Nut with Screw Fixed	SW-106006	M3x20mm Hex Soket OH/TP Screw
SW-338045	S35-T Series HET System Pinion Gear 10T	SW-106007	M3x12mm Hex Soket OH/TP Screw(HT)
SW-338046	S35-T Series HET System Crown Gear 46T	SW-106008	M3x12mm Hex Soket OH/TP Screw
SW-338048	S35-4 Series Servo Saver Shaft(2PC)	SW-106009	M3x25mm Hex Soket OH/TP Screw
SW-338051	S35-4 Series T7 Aluminum Steering Knuckle Plate (R=L)	SW-106010	M3x6mm Hex Socket OH/TP Screw
SW-338056	S35-4 Series Lower Arm Hinge Pin (68.5mm)(2pc)	SW-106013	M2.5x8mm 1.5mmHex Soket OH/ST Screw
SW-338057A	S35-4/e EVO Series T7 Aluminum Front Upper Arm Holder	SW-106015	M3x5mm Hex Soket OH/TP Screw
SW-338058A	S35-4/e EVO Series 5mm T7 Aluminum Front Lower Arm Plate (FF)	SW-106020	M2.5x5mm 1.5mmHex Soket OH/ST Screw
SW-338059	S35-4 Series T7 Aluminum Front Lower Arm Holder (FR)	SW-106021A	S35 Series M4x10mm Hex Soket OH/TP Set Screw
SW-338065	S35-4 E-Buggy Series T7 Aluminum Motor Mount	SW-106022	M2.5x14mm Socket OH/ST Screw ( 1.5mmHex)
SW-338066	S35-4 E-Buggy Series T7 Aluminum Center Diff Mount (CF)	SW-106024	M4x12mm Hex Soket OH/TP Screw (8PC)
SW-338067	S35-4 Series Emulsion/Bladder 2 Ways Syatem Shock Cap (2PC)	SW-108001	M3x12mm FH/ST HEX Screw
SW-338068	S35-4 Series T7 Aluminum Shock Stud (L)(2PC)	SW-108003	M3x10mm FH/ST HEX Screw
SW-338070B	S35 Series Rear Upper Sus. Arm Ball Stud (7.0mm Hex)	SW-108005	M3x14mm FH/ST HEX Screw
SW-338080	S35/S350 Series Lightened Wheel Hub for 8mm Axil (L5.5mm)	SW-108006	M3x8mm FH/ST HEX Screw
SW-338085	S35-T2/E T7075 Aluminum Front Shock Tower	SW-108007	M3x6mm FH/ST HEX Screw
SW-338086	S35-T2/E T7075 Aluminum Rear Shock Tower	SW-108008	M3x35mm FH/ST HEX Screw
SW-338089	S35-T2/e Steering Linkage Turnbuckle M4x80mm	SW-108010	M4x10mm FH/ST HEX Screw
SW-338114	S35-4 Series T7075 Aluminum Intensity Rear Front Lower Suspension Plate	SW-108012	M4x16mm FH/ST HEX Screw
SW-338122-R	S35/S350/Apollo Series Lightened Steering Knuckle Pivot Ball Turnbuckle (Clockwise)(2PC)	SW-108013	M4x8mm FH/ST HEX Screw
SW-338122-L	S35/S350/Apollo Series Lightened Steering Knuckle Pivot Ball Turnbuckle (Anti-Clockwise)(2PC)	SW-108015	M3X16mm FH/ST HEX Screw(10pc)
SW-338123	S35-4/e EVO Series Servo Saver Post Lay-Down Type (Hard Coated)	SW-108019	M2.6x6mm FH/ST HEX Screw
SW-338124	S35-4/e EVO Series T7 Aluminum Steering Plate	SW-108021	M3x18mm FH/ST HEX Screw(10PC)
SW-338126	S35-4/e EVO Series T7 Aluminum Settring Bellcrank Upper Part-A	SW-108029	M2.0x4.6mm FH/ST HEX Screw (1.5mm HexHead)
SW-338127	S35-4e Electric Buggy Series Aluminum Center Diff. Mount		

## Option Part List

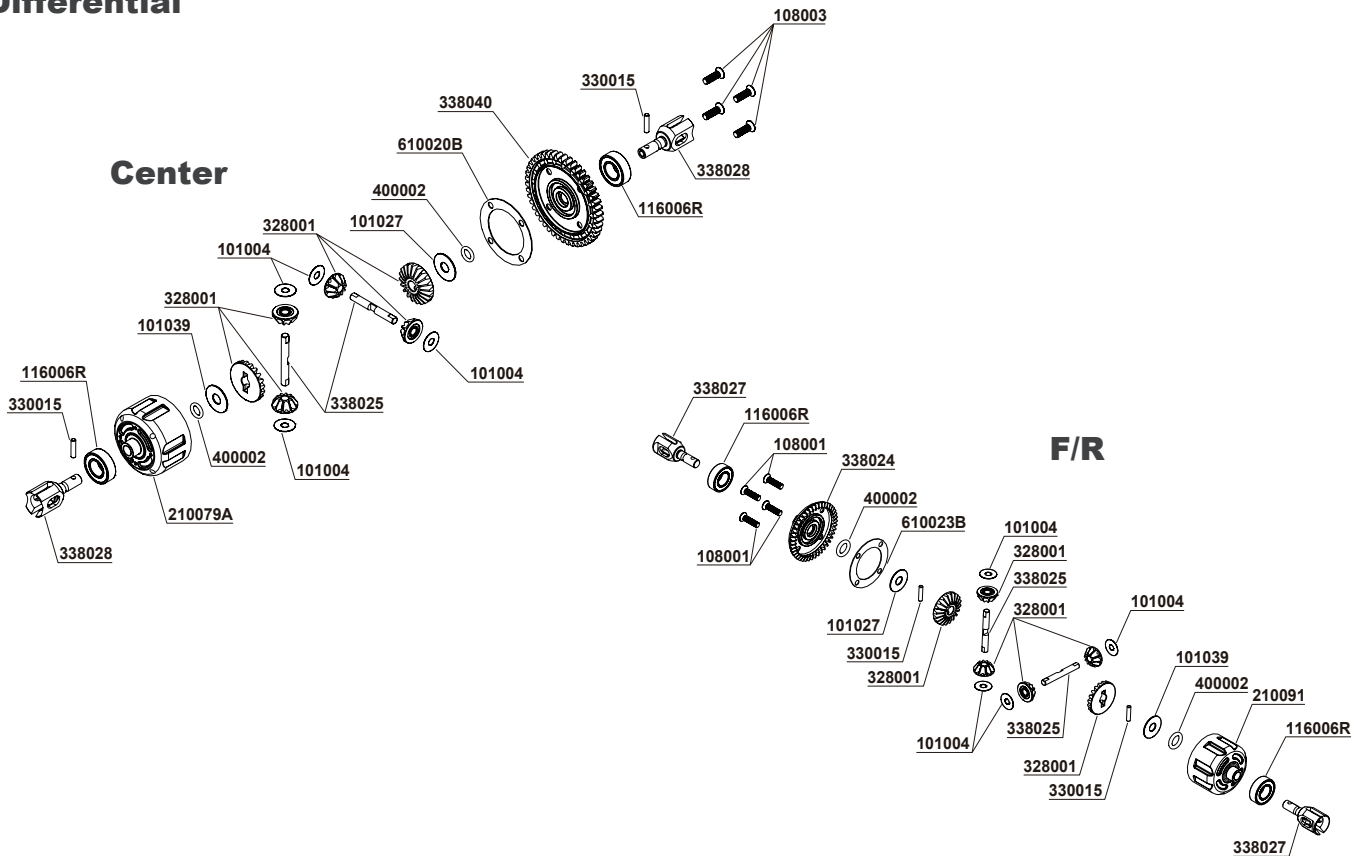
Item No.	Part Name
SW-258004-S	SWORKz 1/8 Off Road Sonic Lexan Wing with Wing Holder (Standard)(Pre-Cut)(2 Sets)
SW-258004-D	SWORKz 1/8 Off Road Sonic Lexan Wing with Wing Holder (Durable)(Pre-Cut)(2 Sets)
SW-2503260FO	S353 Series Colorful Plastic Inserts Set (FO)
SW-2503260FY	S353 Series Colorful Plastic Inserts Set (FY)
SW-2503260LB	S353 Series Colorful Plastic Inserts Set (SB)(2 SET)
SW-210079AH	S35-4 Plastic Center Big Bore HET Diff Case (Hard)
SW-210091H	S35-4 Plastic Front/Rear Big Bore HET Diff Case (Hard)
SW-228008WH	SWORKz 1/8 Off Road Formula 2.0 Race Wing (WH)
SW-228013BK	SWORKz 1/8 Off Road Pro-Speed 2.0 Race Wing (BK)(Pre-Holes)
SW-228013WH	SWORKz 1/8 Off Road Pro-Speed 2.0 Race Wing (WH)(Pre-Holes)
SW-228013FY	SWORKz 1/8 Off Road Pro-Speed 2.0 Race Wing (FY)(Pre-Holes)
SW-228016-1.2-8	SWORKz 1/8 BBS Precision Plastic Shock Piston(1.2X8Holes)(2PC)
SW-228016-1.3-8	SWORKz 1/8 BBS Precision Plastic Shock Piston(1.3X8Holes)(2PC)
SW-228016-DIY	SWORKz 1/8 BBS Precision Plastic Shock Piston(DIY)(4PC)
SW-300049	SWORKz S35-3/S350 Series Rear Stainless Chassis End Protection (2PC)
SW-330115	Steering Knuckle Pivot Ball Turnbuckle
SW-330116	14mm Knuckle Pivot Ball
SW-330134A	S350 Series Aluminum Shock Ball Stud(4pc)
SW-330136A	S350 Series Aluminum Sway Bar Ball Stud(4pc)
SW-330168A	S35-3 Series Rear Chassis Blance wight 15g(2pc)
SW-330398A	SWORKz S350 Series Pro Wheel Nut (GM)
SW-330420	S350 Series Knuckle Pivot Ball Balance Nut (5.5g) (2pc)
SW-330424	S350 Series Aluminum Wing Holder (RED)
SW-330424B	S350 Series Aluminum Wing Holder (BK)
SW-330424G	S350 Series Aluminum Wing Holder (GM)
SWC-330633S	SWORKz S35 BBS System SMC Shock Body L(+5.6mm)
SWC-330634S	SWORKz S35 BBS System SMC Shock Body S (+5mm)
SW-330779T-AL	S35-4/e EVO Steering Linkage Aluminum Ball Stud 7mm (L6 Thread Type)(4PC)
SW-330235	SWORKz 1/8 Motor Pinion Gear 13T
SW-330239	SWORKz 1/8 Motor Pinion Gear 14T
SW-330246	SWORKz 1/8 Motor Pinion Gear 16T
SW-330247	SWORKz 1/8 Motor Pinion Gear 17T
SW-330817	SWORKz 1/8 EP Motor Pinion Gear 18T
SW-330818	SWORKz 1/8 EP Motor Pinion Gear 19T
SW-330819	SWORKz 1/8 EPMotor Pinion Gear 20T
SWC-338017	S35 Series T-6061AL Rear Hub Carry Insert (6mm)(2pc)
SW-338030-57	S35-4 Series High Density Spur Gear for Big Bore Diff. Case (57T)
SW-338030-58	S35-4 Series High Density Spur Gear for Big Bore Diff. Case (58T)
SW-338030-59	S35-4 Series High Density Spur Gear for Big Bore Diff. Case (59T)
SW-338030-60	S35-4 Series High Density Spur Gear for Big Bore Diff. Case (60T)
SW-338069	S35-4 E-Buggy Series Brass Material Center Chassis Brace (50g)
SW-338070A	S35 Series Rear Upper Arm Aluminum Ball Stud(2PC)
SW-338075	S35-4 Series T7 Aluminum Rear Wheel Hub (R=L)(2PC)
SW-338078-25	SWORKz Uni-Design 2-Way System Aluminum Steering Servo Horn 25T
SW-338078-23	SWORKz Uni-Design 2-Way System Aluminum Steering Servo Horn 23T
SW-338117-19	S35-4e/GT2e/T2e Series High Density Motor Pinion Gear 19T
SW-338117-20	S35-4e/GT2e/T2e Series High Density Motor Pinion Gear 20T
SW-338117-21	S35-4e/GT2e/T2e Series High Density Motor Pinion Gear 21T
SW-338117-22	S35-4e/GT2e/T2e Series High Density Motor Pinion Gear 22T
SW-338117-23	S35-4e/GT2e/T2e Series High Density Motor Pinion Gear 23T
SW-338117-24	S35-4e/GT2e/T2e Series High Density Motor Pinion Gear 24T
SW-340029-15	S35-T2/e Pro-composite Carbon Front Lower Arm Cover (1.5mm)(2PC)
SW-340030-15	S35-T2/e Pro-composite Carbon Rear Lower Arm Cover (1.5mm)(2PC)
SW-400022A-M	S35 Series BBS System Pro Shock Bladder (Medium)(8PC)
SW-400024M	S35 Series BBS System Hex-Cell Shock Bladder(Medium)(4PC)
SWC-115107	S350 Competition Shock Spring A-2 (75X1.4X7.25)(Red)
SWC-115109	S350 Competition Shock Spring B-2 (90X1.4X8.5)(Pink)
SWC-115110	S350 Competition Shock Spring C-1 (75X1.5X7.75)(SkyBlue)
SWC-115118	S350 Competition Shock Spring E-3 (90X1.5X8.5)(Blue)
SWC-116006C	SWORKz Competition 8x16x5mm Ball Bearing (Metal Case)(6PC)
SWC-116019A	SWORKz Competition 5x13x4mm Ball Bearing (Metal Case)(4PC)
SWC-116019B	SWORKz Competition 5x13x4mm Ball Bearing (Metal Case/Japan)(4PC)
SWC-115163	S35 Series Black Competition Front Shock Spring (M4-Dot)(75X1.6X8.75)
SWC-115164	S35 Series Black Competition Front Shock Spring (M3-Dot)(75X1.6X9.0)
SWC-115165	S35 Series Black Competition Front Shock Spring (M2-Dot)(75X1.6X9.25)
SWC-115166	S35 Series Black Competition Rear Shock Spring (L4-Dot)(86X1.6X10.25)
SWC-115167	S35 Series Black Competition Rear Shock Spring (L3-Dot)(86X1.6X10.5)
SWC-115169	S35 Series Black Competition Front Shock Spring (S4-Dot)(70X1.6X8.25)
SWC-115171	S35 Series Black Competition Front Shock Spring (S2-Dot)(70X1.6X8.75)
SWC-115190	S35 Series Competition Black Line Rear Shock Spring (RM4-Dot)(80X1.6X9.75)
SWC-115191	S35 Series Competition Black Line Rear Shock Spring (RM3-Dot)(80X1.6X10.0)
SWC-115192	S35 Series Competition Black Line Rear Shock Spring (RM2-Dot)(80X1.6X10.25)
SW-118001-25	S35-T2/T2e Front Sway Bar 2.5mm
SW-118001-27	S35-T2/T2e Front Sway Bar 2.7mm
SW-118002-27	S35-T2/T2e Rear Sway Bar 2.7mm
SW-118002-30	S35-T2/T2e Rear Sway Bar 3.0mm

# Exploded View

## Shock Absorbers

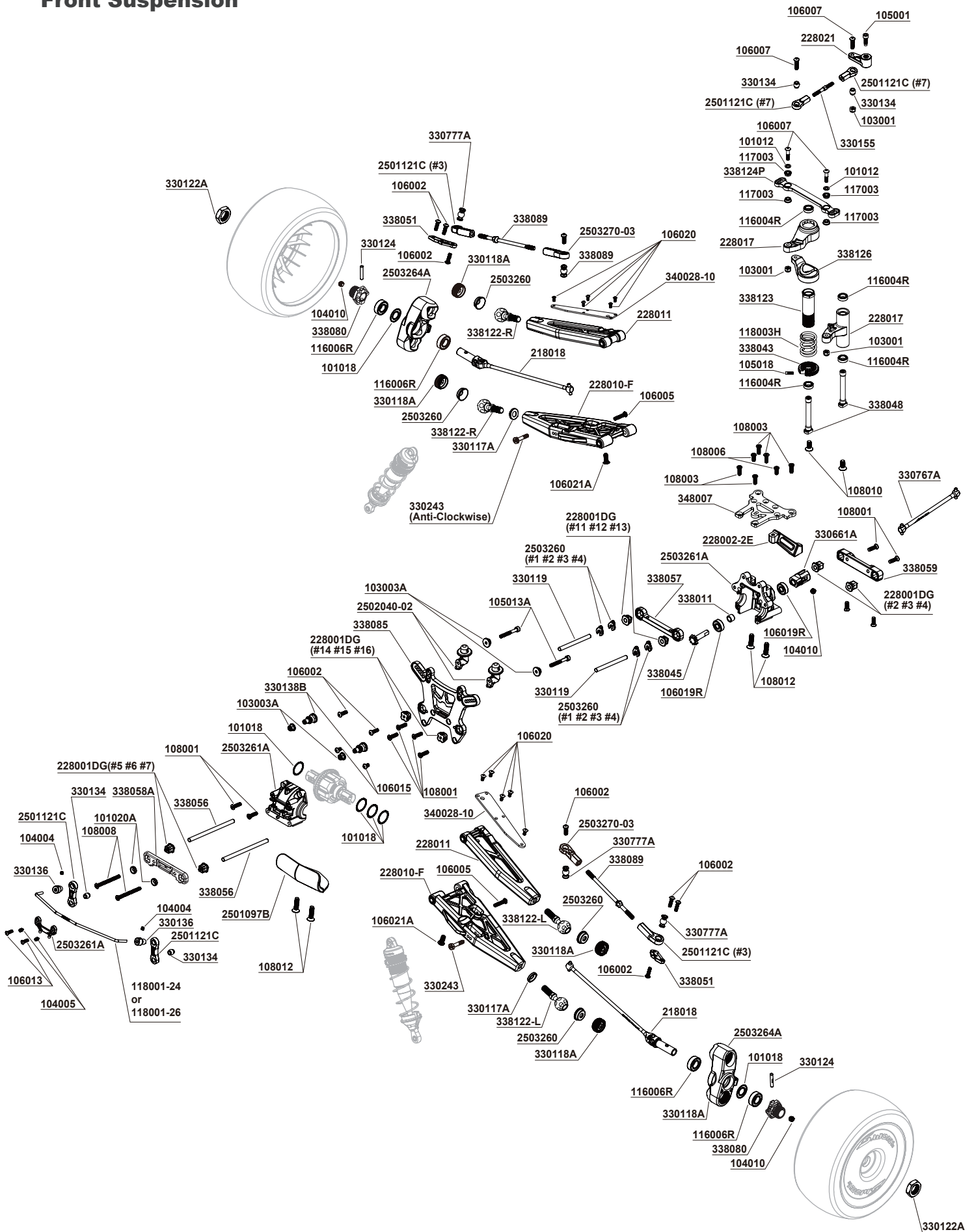


## Differential





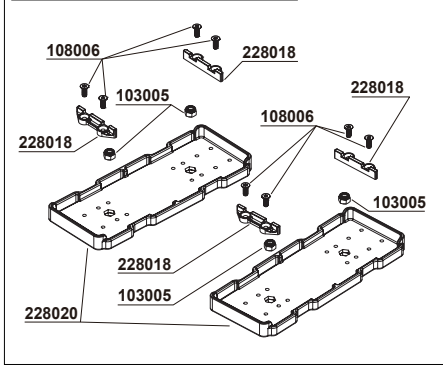
# Front Suspension



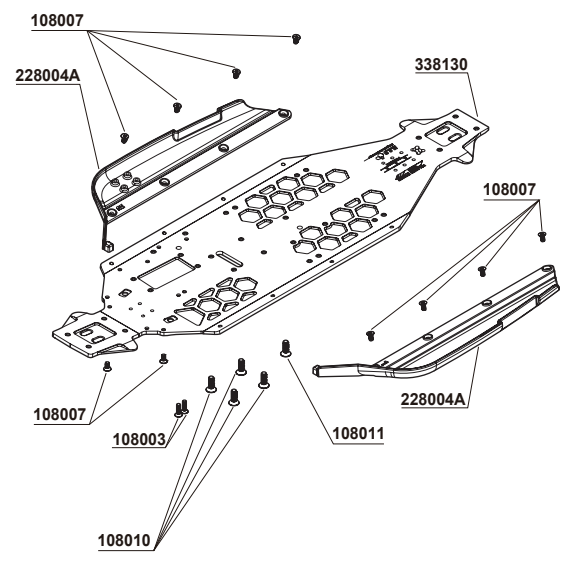
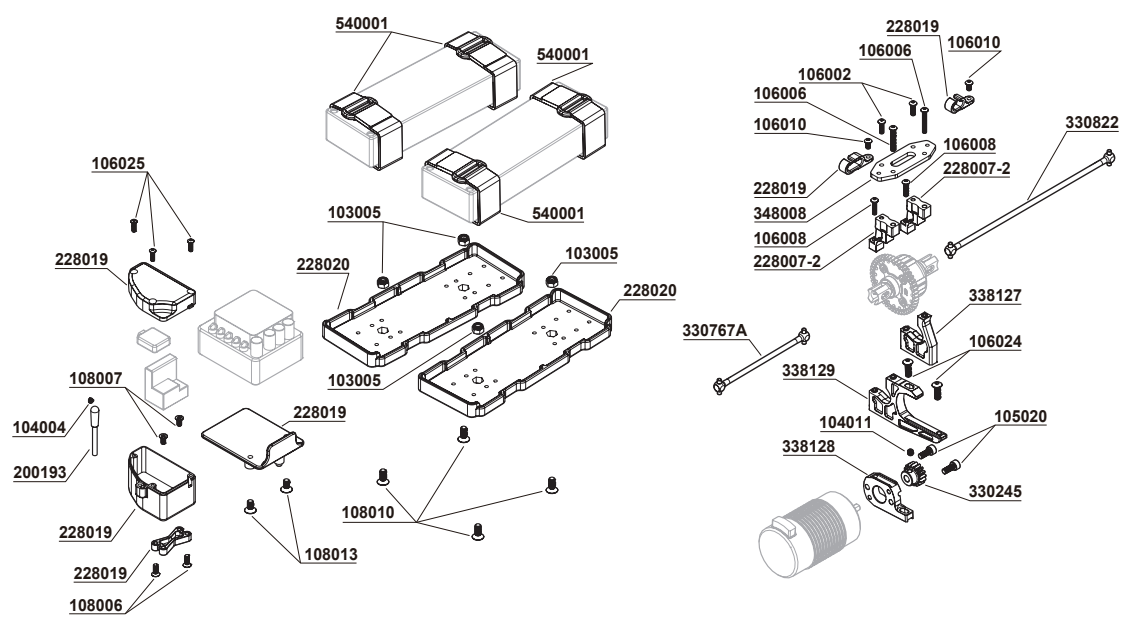
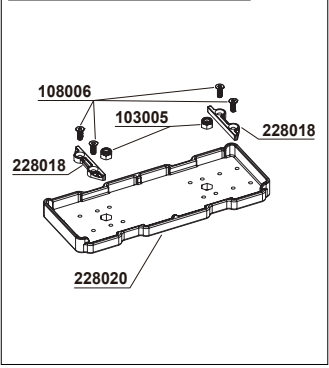
# Exploded View

## Center Transmission

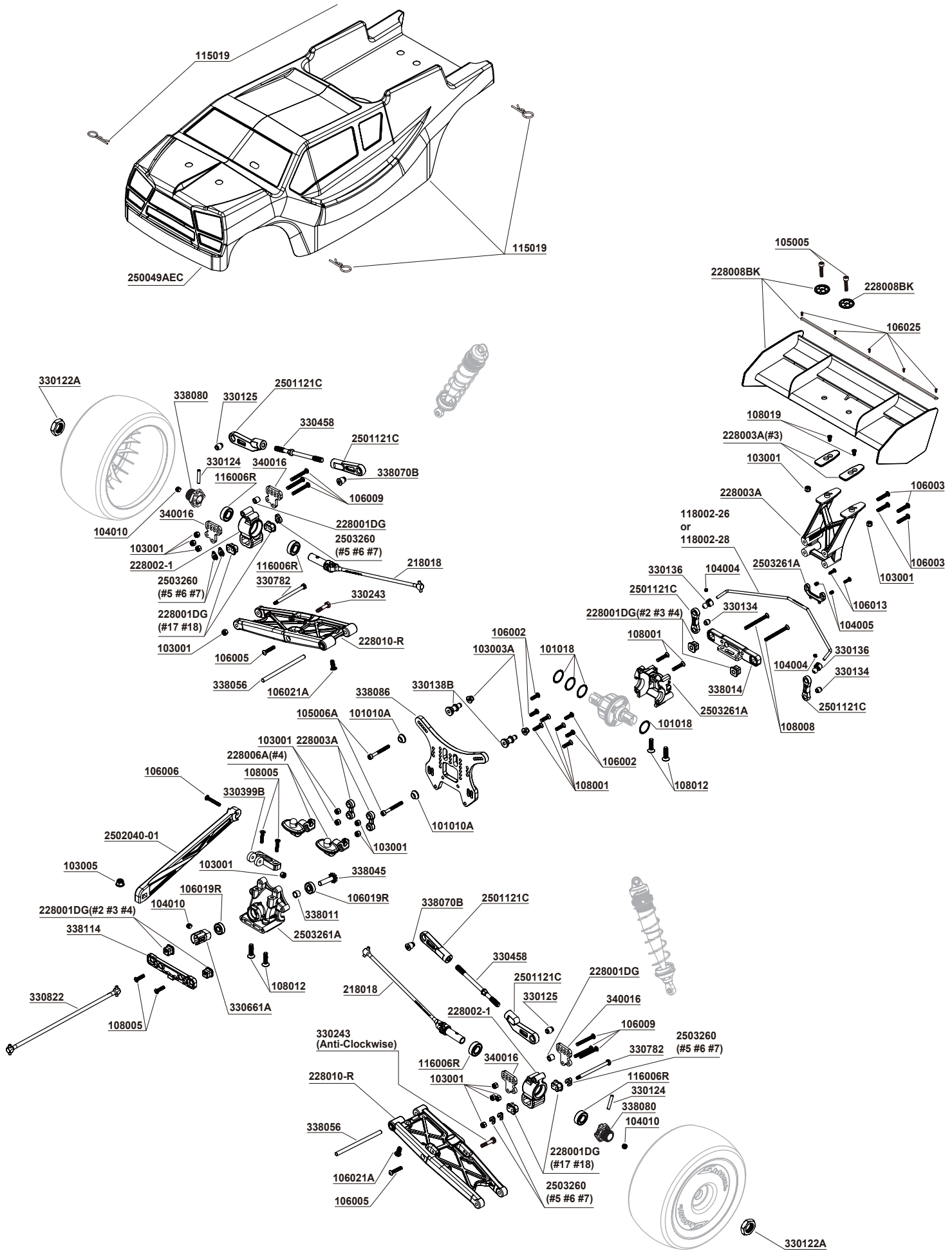
**Shorty Pack Battery Chassis Assembly**



**S14.8 4S Pack Battery Assembly**



# Rear Suspension



# S35-T20EVO

**1/8 OffRoad Brushless Power Pro Truggy**



**SPEEDMASTER HOBBY CO., LTD.**

TEL: +886-3-538-7638

FAX: +886-3-538-7328

No. 89, Ln. 225, Xiangbei Rd., Xiangshan Dist.,  
Hsinchu City 300066, Taiwan (R.O.C.)

[www.sworkz.com](http://www.sworkz.com)